

GENERAL PURPOSE ENGINE

GCV520
GCV530
GXV520
GXV530

PARTS CATALOGUE

3



GCV520



GCV530

FOREWORD INDEX

1

ENGINE GROUP

2

PART NUMBER INDEX

3

PART NAME INDEX

4

Instruction for use of parts catalogue

- **This parts catalogue was prepared based on the latest information available as of March 10, 2005.**
 - See the parts catalogue news for any revision that is made after March 10, 2005.
- **Always specify the part number when ordering a part.**
 - Check the model, type, serial numbers, color, maker, and the size as needed before ordering a part.
 - Note that the illustrations (part drawings) can differ from the actual parts in shape. They are given just to help you to refer to the parts.
- **When modifications or additions to this parts catalogue are made, a revised edition will be issued at an appropriate time, with successively progressing revision numbers on the cover. We recommend obtaining such revisions in order to keep your parts catalogue up-to-date at all times. To check whether a parts catalogue revision has been issued, please contact your Honda distributor.**

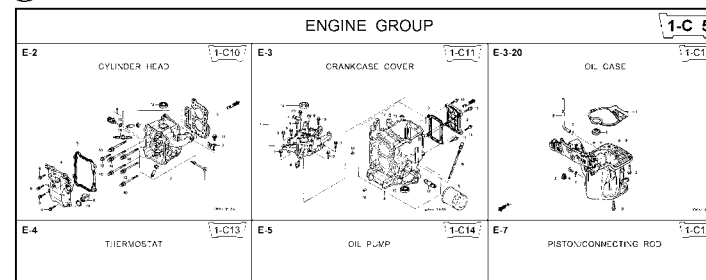
Initial version issue date **August 20, 2000**
Honda Motor Co., Ltd.

CONTENTS

	Page	Address No.	
● Instruction for use of parts catalogue	1	B 1	1
● How to refer to the part information	2	B 2	
● Part catalogue structure	3	B 3	
● When the parts were revised.....	4	B 4	
● Abbreviations used in the parts catalogue.....	4	B 4	
● How to check the part block and serial numbers.....	5	B 5	
● Models, parts catalogue codes and applicable serial numbers	6	B 6	
● Features of each type.....	9	B 9	
● Fuel hose, general purpose hoses and vinyl hose.....	11	B11	
● FLAT RATE SERVICE TIME	12	B12	
● Illustrated index	17	C 1	
● ENGINE GROUP.....	20	D 1	2
● PART NO. INDEX.....	57	G 1	3
● PART NAME INDEX.....	59	H 1	4

How to refer to the part information

A Reference with "Illustrated index"



B Reference with "Part number index"

PART NO. INDEX

Part Number	Address	Page	Ref.	Part Number	Address	Page
06000				15212-ZW9-000	1-C14	3C
06316-ZW9-000	1-69	88	1	15220-ZW9-003	1-C14	3C
11000				15332-ZW9-000	1-E8	55
11300-ZW9-405	1-C11	27	1	15332-ZW9-A30	1-E11	56
11300-ZW9-406	1-C11	27	1	15400-PFB-004	1-C11	27
11340-ZW9-000	1-C11	27	2	15422-ZW9-000	1-C14	3C
11342-ZW9-000	1-C11	27	3	15473-881-000	1-C14	3C
11381-ZW9-003	1-C12	28	1	15474-ZW9-000	1-C14	3C
				15611-921-000	1-C10	26
				15655-ZW9-000	1-C11	27
				16000		
12000				16010-ZV4-005	1-D4	36
12000-ZW9-405ZA	1-C11	27	4	16011-ZV4-005	1-D4	36
12155-ZV4-A00	1-C13	29	1	16013-ZW9-003	1-D4	36
12166-ZW9-000	1-C10	26	1	16016-ZW9-003	1-D4	36
12209-GB4-681	1-C16	32	1	16016-ZW9-721	1-D4	36
12210-ZW9-405ZA	1-C10	26	2	16023-ZW9-003	1-D4	36
12216-ZE2-500	1-E8	55	1	16024-ZV4-650	1-D4	36
	1-E11	58	1	16028-ZV4-650	1-D4	36

C Reference with "Part name index"

PART NAME INDEX

Part name	Address	Page	Ref.
[A]			
ABSORBER , FUEL	1-E15	62	5
ARMATURE COMP.	1-D11	43	7
ARM COMP. , LINK JOINT	1-G6	85	18
ARM COMP. , SHIFT LINK	1-G6	85	14
ARM COMP. , TILT	1-F15	79	20
ARM , FUEL PUMP ROCKER	1-C16	32	4
ARM , REVERSE LOCK	1-F15	79	18
ARM , SHIFT LINK	1-F11	74	7
ARM , STOPPER	1-D1	33	12
ARM , THROTTLE REMOTE	1-F11	74	6
ARM , VALVE ROCKER	1-C16	32	3
[B]			
BAG , TOOL , 160MM	1-G5	84	10
BAND	1-G6	86	37
BAND B1 , WIRE	1-F6	69	1
BAND , CORD	1-F3	67	18
BAND , TUBE CLIP , 11MM	1-E15	63	20
BAND , TUBE CLIP , 12.5MM	1-E15	63	19

Block No. 1-C10

Ref No.

Service item F.R.T.

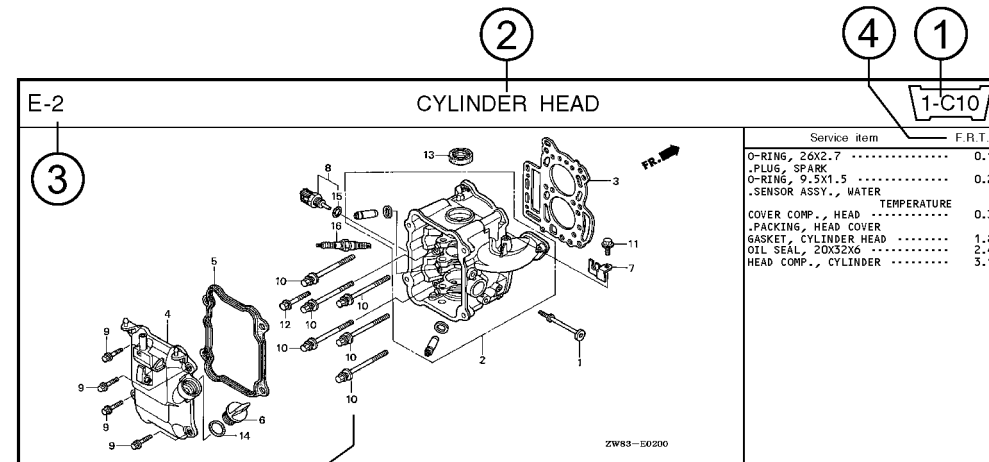
O-RING, 26X2.7	0.1
.PLUG, SPARK	0.2
O-RING, 9.5X1.5	0.2
.SENSOR ASSY., WATER TEMPERATURE	0.3
COVER COMP., HEAD	0.3
.PACKING, HEAD COVER	1.8
GASKET, CYLINDER HEAD	2.4
OIL SEAL, 20X32X6	2.4
HEAD COMP., CYLINDER	3.1

Ref. No.	Part No.	Description	Reqd. QTY						Serial No.	Parts catalogue code
			9901	9901	1001	1001	1001	1001		
1	12166-ZW9-000	STOPPER, ENGINE SIDE	2	2	2	2	2			
2	12210-ZW9-000ZA	HEAD COMP., CYLINDER	1	1	1	1	1			
3	12251-ZW9-003	GASKET, CYLINDER HEAD	1	1	1	1	1			
4	12310-ZW9-000	COVER COMP., HEAD	1	1	1	1	1			
5	12312-ZW9-000	PACKING, HEAD COVER	1	1	1	1	1			
6	15611-921-000	CAP, OIL (NO GAUGE)	1	1	1	1	1			
7	16617-ZW9-000	HOLDER, CABLE	1	1	1	1	1	SC,SG		
	16617-ZW9-010		1	1	1	1	1	1001800 LHC,LHD		
			1	1	1	1	1	1001801 LHC,LHD		
8	35673-ZV5-003	SENSOR ASSY., WATER TEMPERATURE	1	1	1	1	1			
9	90003-ZW9-000	BOLT, FLANGE, 6X22	4	4	4	4	4			
10	90007-ZW9-003	BOLT, FLANGE, 8X83	6	6	6	6	6			
11	90011-ZW9-000	BOLT, FLANGE, 6X14 (CT200)	1	1	1	1	1			
12	90020-ZW9-000	BOLT, FLANGE, 8X40	2	2	2	2	2			
13	91202-KJ9-003	OIL SEAL, 20X32X6	1	1	1	1	1			
14	91301-805-000	O-RING, 26X2.7	1	1	1	1	1			
15	91307-PK2-005	O-RING, 9.5X1.5 (HONDA KIKAKI)	1	1	1	1	1			
16	98059-55916	PLUG, SPARK (CR5EH-9)	2	2	2	2	2			
	98059-55926	PLUG, SPARK (U16FER9)	2	2	2	2	2			

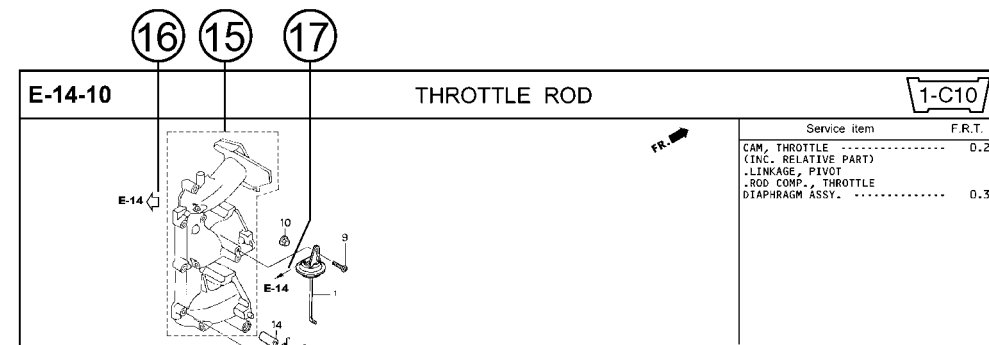
2000.09.20 E

Page No.

Part catalogue structure



Ref. No.	Part No.	Description	Reqd. QTY						Serial No.	Parts catalogue code
			BF 9/901	BFP 9/901	BF 1001	BFP 1001	BF 1081	BFP 1081		
1	12166-ZW9-000	STOPPER, ENGINE SIDE	2	2	2	2	2	2		
2	12210-ZW9-000ZA	HEAD COMP., CYLINDER *NH8*	1	1	1	1	1	1		
3	12251-ZW9-003	GASKET, CYLINDER HEAD	1	1	1	1	1	1		
4	12310-ZW9-000	COVER COMP., HEAD	1	1	1	1	1	1		
5	12312-ZW9-000	PACKING, HEAD COVER	1	1	1	1	1	1		
6	15611-921-000	CAP, OIL (NO GAUGE)	1	1	1	1	1	1		
7	16617-ZW9-000	HOLDER, CABLE	1	1	1	1	1	1	SC,S6	
	16617-ZW9-010		1	1	1	1	1	1	1001800 LHC,LHD	



① Address number

- Address No. is provided (in place of the page No.) to help you refer to the part with the part No. or part name.

② Block title ③ Block number

④ Service item/Flat rate time

⑤ Reference number

- Title number marked with the parenthesis or parentheses indicates that it continues from the previous page.

⑥ Part number ⑦ Honda color code

⑧ Description

⑨ Assemblies

- Sections framed with broken lines in the exploded view drawings are available as complete assemblies. (Their individual parts can also be obtained.)

⑩ Color description

⑪ Note

- Notes are shown with the parentheses in the part name column.

⑫ Required quantity

- Required QTY shown in the parenthesis or parentheses indicates the optional part.
- Required QTY marked with "N" Indicates the optional part that should be selected as needed.
- Required QTY indicates the number of the part used in the block.

⑬ Serial number

⑭ Type

- When the type column is blank, it indicates that the part is applicable to all types.
- As the type of the actual unit may differ from the "parts catalogue, type" please refer to "Models, types and applicable serial numbers" for confirmation.

⑮

- Parts enclosed within a dotted line are covered in a different block.

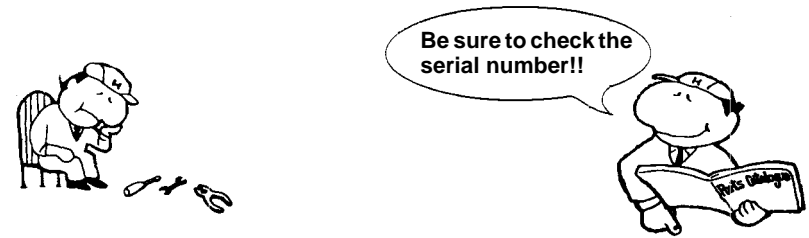
⑯

- A hollow arrow indicates the block No. for the parts enclosed within a dotted line .

⑰

- A solid arrow indicates the block No. the part in question is connected to.

When the parts were revised



Ref. No.	Part No.	Description	Reqd. QTY						Serial No.
			BF 99D1	BFP 9.9D1	BF 10D1	BFP 10D1	BF 10B1	BFP 10B1	
1	12166-ZW9-000	STOPPER, ENGINE SIDE	2	2	2	2	2	2	
2	12210-ZW9-000ZA	HEAD COMP., CYLINDER *NH8*.....DARK GRAY	1	1	1	1	1	1	
3	12251-ZW9-003	GASKET, CYLINDER HEAD	1	1	1	1	1	1	
4	12310-ZW9-000	COVER COMP., HEAD	1	1	1	1	1	1	
5	12312-ZW9-000	PACKING, HEAD COVER	1	1	1	1	1	1	
6	15611-921-000	CAP, OIL (NO GAUGE)	1	1	1	1	1	1	
7	16617-ZW9-000	HOLDER, CABLE (###).....	1	1	1	1	1	1	SC, SG LHC, LHD LHC, LHD
	16617-ZW9-010	1	1	1	1	1	1	

The number has been used from the initial model without revision.

When shown at the left side, it is applicable to the models of No.1001801 and the subsequent numbers.

When shown at the right side, it is applicable to the models up to No.1001800.

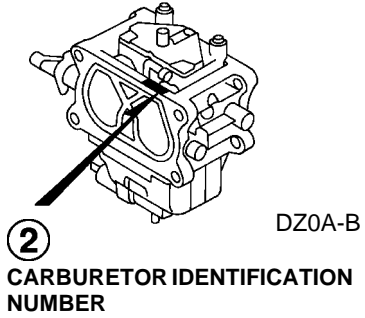
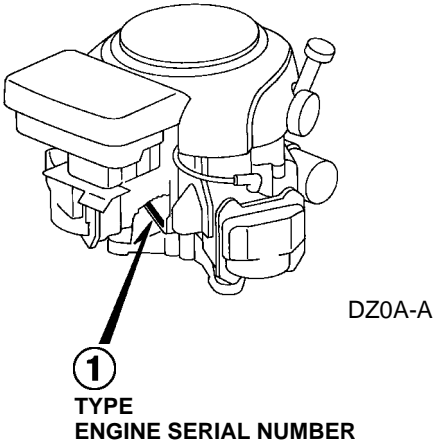
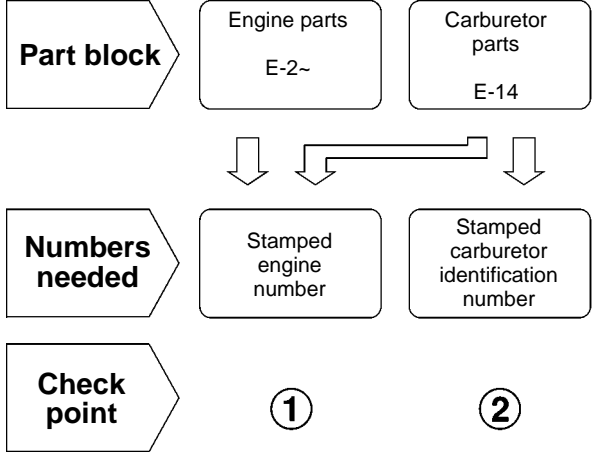
• The parts listed with "###" at the end of the parts name have limited supply period (parts not for sale).

Abbreviations used in the parts catalogue

• The following abbreviations are used in the parts name column.

- A Ampere
- A.C. Alternating current
- ASSY. Assembly
- AT. Automatic transmission
- C.D.I. Capacitive discharge ignition
- COMP. ... Complete
- D.C. Direct current
- EX. Exhaust
- G.F.C.I ... Ground fault circuit interruptor
- HEX. Hexagonal
- H.S.T. Hydrostatic transmission
- FR.Front
- IN.Inlet
- L (100L) .Link (100 Links)
- L.Left
- MMMillimeter
- MT.Manual Transmission
- P.T.O.Power take off
- R.Right
- RR.Rear
- STD.Standard
- T (22T) ...Tooth (22 Teeth)
- VVolt
- WWatt

How to check the part block and serial numbers



Models, parts catalogue codes and applicable serial numbers

- Models, parts catalogue codes and applicable serial Nos. given in this parts catalogue can be identified as follows.

Model	Type	Parts catalogue type	Applicable engine serial No.	Applicable carburetor identification No.	Model	Type	Parts catalogue type	Applicable engine serial No.	Applicable carburetor identification No.
GCV520	CEE9	CEE9	GJAKM-1000001~1049999	BW04B C	GCV530	AEE1	AEE1	GJAJM-1000001~1049999	BW02B B / C
		CEE9/A	GJAKM-1050001~				AEE1/A	GJAJM-1050001~	BW02B C
	QEA	QEA	GJAKM-1000001~1049999	BW03A B		CEE9	CEE9	GJAJM-1000001~1049999	BW02B B / C
		QEA1					GJAKM-1050001~	BW04A C	CEE9/A
	QEA1	QEA1/A	GJANM-1000001~9999999	BW04B B		DXA			DXA
		QEA3				QEA3	GJAKM-1000001~1049999	BW04A C	DXA1
	QEA9		QEA9	GJAKM-1050001~		BW04A B			EXA1
		QEA9	QEA9/A				GJANM-1000001~9999999	BW04A C	PEE9
	QRA4		QRA4	GJAKM-1000001~1049999		BW04B B			
		QXA4	QXA4				GJANM-1000001~9999999	BW04A B	QEA
	SEE1		SEE1	GJAKM-1000001~1049999		BW04B B			QEA1
		SEE4	SEE4				GJAKM-1050001~	BW04B C	
	WEE1		WEE1	GJANM-1000001~9999999		BW02B B			QEA3
		WEE1	WEE1/A				GJAKM-1050001~	BW02A B	QRA4
					QXA4	QXA4			BW02A B

Model	Type	Parts catalogue type	Applicable engine serial No.	Applicable carburetor identification No.
GCV530	QXU3	QXU3	GJAMM-1000001~9999999	BW02B B
	SEE2	SEE2	GJAJM-1000001~1049999	BW02B B / C
		SEE2/A	GJAJM-1050001~	BW02B C
	SXE3	SXE3	GJAMM-1000001~9999999	BW02B B
	VXU3	VXU3		
GXV520	QEA3	QEA3	GJAPM-1000001~	BW04B C
	QRA4	QRA4		BW04A C
	QRA5	QRA5		
	QXA4	QXA4		
	QXA5	QXA5		
GXV530	DXA1	DXA1	GJARM-1000001~1069999	BW02B B / C
		DXA1/A	GJARM-1070001~	BW02B C
	DXA2	DXA2	GJARM-1000001~1069999	BW02B B / C
		DXA2/A	GJARM-1070001~	BW02B C
	EEA1	EEA1	GJARM-1000001~1069999	BW02C A

Model	Type	Parts catalogue type	Applicable engine serial No.	Applicable carburetor identification No.
GXV530	EEA1	EEA1/A	GJARM-1070001~	BW02C A
	EXA1	EXA1	GJARM-1000001~1069999	BW02B B / C
		EXA1/A	GJARM-1070001~	BW02B C
	EXA2	EXA2	GJARM-1000001~1069999	BW02B B / C BW02C A
		EXA2/A	GJARM-1070001~	BW02C A
	JXA3	JXA3	GJARM-1000001~1069999	BW02B C
		JXA3/A	GJARM-1070001~	
	PXA1	PXA1	GJARM-1000001~1069999	BW02B B / C
		PXA1/A	GJARM-1070001~	BW02B C
	QEA3	QEA3	GJARM-1000001~1069999	BW02B B / C
		QEA3/A	GJARM-1070001~	BW02B C
	QRA4	QRA4	GJARM-1000001~1069999	BW02A B / C
		QRA4/A	GJARM-1070001~	BW02A C
	QRA5	QRA5	GJARM-1000001~1069999	BW02A B / C
		QRA5/A	GJARM-1070001~	BW02A C

Model	Type	Parts catalogue type	Applicable engine serial No.	Applicable carburetor identification No.
GXV530	QXA4	QXA4	GJARM-1000001~1069999	BW02A B / C
		QXA4/A	GJARM-1070001~	BW02A C
	QXA5	QXA5	GJARM-1000001~1069999	BW02A B / C
		QXA5/A	GJARM-1070001~	BW02A C
	QXU3	QXU3	GJARM-1000001~1069999	BW02B B / C
		QXU3/A	GJARM-1070001~	BW02B C
	QXU4	QXU4	GJARM-1000001~1069999	BW02B B / C
		QXU4/A	GJARM-1070001~	BW02B C
	SXE3	SXE3	GJARM-1000001~1069999	BW02B B / C
		SXE3/A	GJARM-1070001~	BW02B C
	UXE3	UXE3	GJARM-1000001~1069999	
		UXE3/A	GJARM-1070001~	

* Of carburetor identification numbers, only the portions underlined in the example below are used for registration.

BW02A-B

Features of each type

- See the following table for the features of each type.

Model Type		GCV520									GCV530						
		CEE9	QEA	QEA1	QEA3	QEA9	QRA4	QXA4	SEE1	SEE4	WEE1	AEE1	CEE9	DXA	DXA1	EXA1	PEE9
Oil filter cartridge		●			●		●	●					●	●	●	●	●
Recoil starter spacer		●					●	●					●				●
Exhaust pipe					●	●	(●)	(●)	●		●						
Exhaust pipe (Flange)						●	●	●									
Charge coil	(12V-3A)		●	●		●	●	●	●								
	(12V-12A)	●								●		●		●	●	●	●
	(12V-18A)				●						●		●				

Model Type		GCV530								GXV520					
		QEA	QEA1	QEA3	QRA4	QXA4	QXU3	SEE2	SXE3	VXU3	QEA3	QRA4	QRA5	QXA4	QXA5
Oil filter cartridge				●	●	●	●		●	●	●	●	●	●	
Recoil starter spacer					●	●						●	●	●	●
Exhaust pipe				●	(●)	(●)	●		●	●	●	(●)	(●)	(●)	(●)
Exhaust pipe (Flange)					●	●						●	●	●	●
Charge coil	(12V-3A)	●	●		●	●						●	●	●	●
	(12V-12A)						●	●	●	●					
	(12V-18A)			●							●				

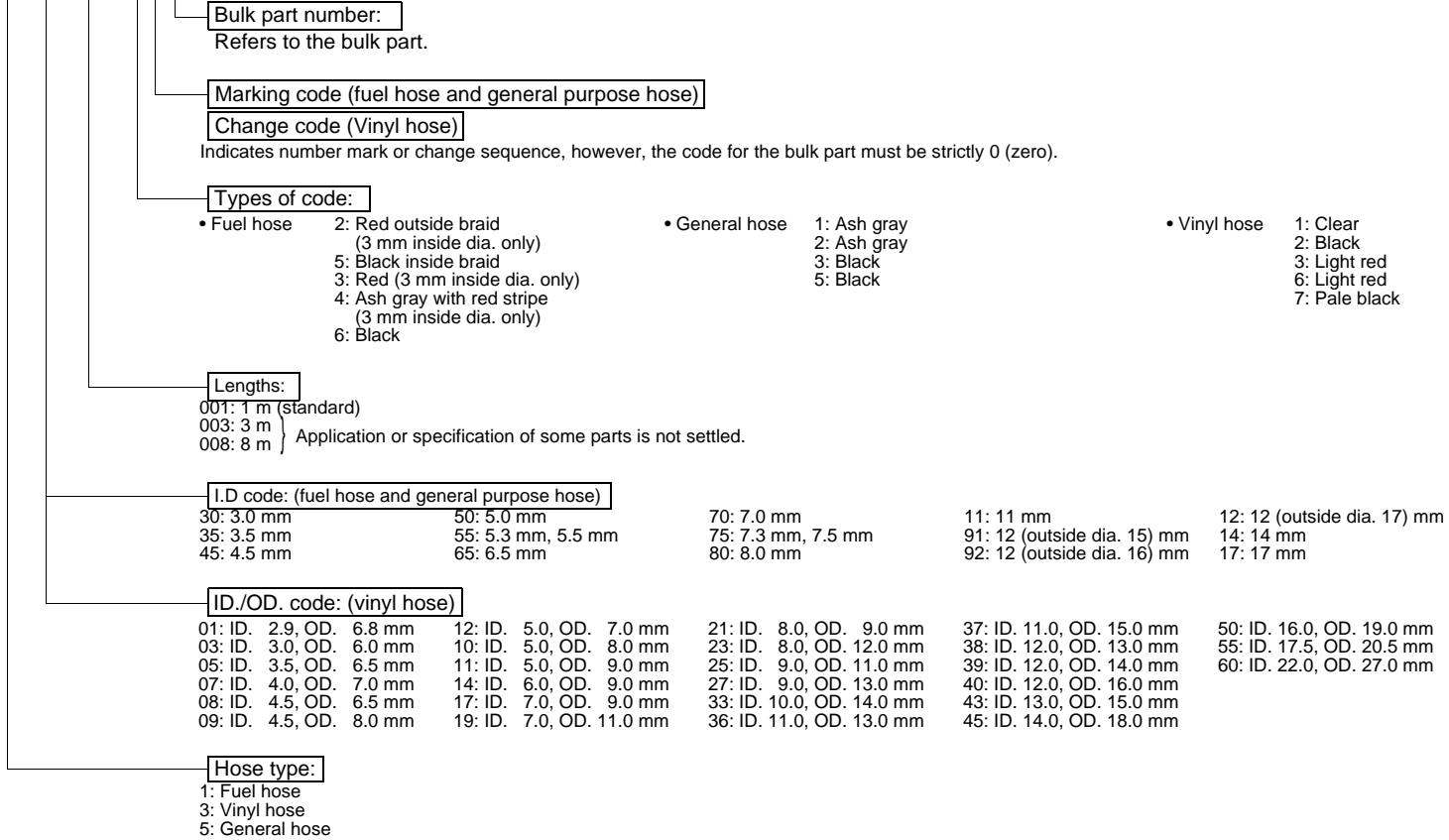
Model		GXV530																
		Type	DXA1	DXA2	EEA1	EXA1	EXA2	JXA3	PXA1	QEA3	QRA4	QRA5	QXA4	QXA5	QXU3	QXU4	SXE3	UXE3
Specifications			●	●	●		●	●	●	●	●	●	●	●	●	●	●	●
Oil filter cartridge			●	●	●		●	●	●	●	●	●	●	●	●	●	●	●
Recoil starter spacer										●	●	●	●					
Exhaust pipe							●		●	(●)	(●)	(●)	(●)	●	●			
Exhaust pipe (Flange)									●	●	●	●						
Charge coil	(12V-3A)									●	●	●	●					
	(12V-12A)	●	●	●	●	●		●						●	●	●		
	(12V-18A)						●		●								●	

Fuel hose, general purpose hoses and vinyl hose

- The standard part fuel hose, general purpose hose and vinyl hose may be substituted by the coiled bulk part.
- When ordering the standard part fuel hose, general purpose hose and vinyl hose use the bulk part number written in the parts catalog in brackets () underneath the part name.
- When exchanging the hose, cut and use at the specified length as mentioned in the part name.
(For the method of cutting the bulk part, and method of filling out orders etc., please refer to the instructions issued with the bulk part.)

Bulk part number of fuel hose, general purpose hose and vinyl hose.

Example: 9 5 0 0 1 - 7 5 0 0 1 - 5 0 M



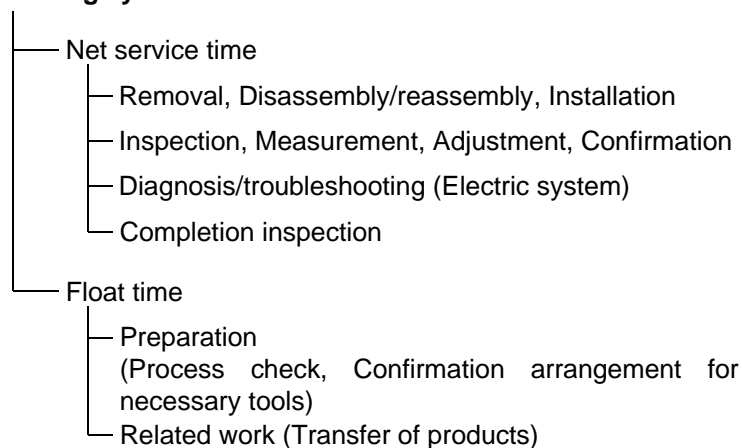
⊙ **CAUTION: It is DANGEROUS to confuse the fuel hose with the general purpose hose or vinyl hose.**

Never use a general purpose hose or vinyl hose in place of a fuel hose or vice versa. Always use the correct bulk part in the parts catalogue, according to the service manual or the instructions issued with the bulk part.

FLAT RATE SERVICE TIME

Flat rate service time (FRT) means the standard time required to service a product, which is listed in this manual to help the dealers control the actual working process and calculate the service charge by using it as a guide.

FRT setting system



* Float time is set by multiplying the net service time by a given coefficient.

Editorial style

The service items shown in the text are listed with the exchange work time for the repair sales parts as the subject. Other representative service items not using repair parts (removal/installation, adjustment, inspection/measuring, and other work) are listed collectively in the list in the preface, classified according to the work.

FRT setting standard

- Decimal system (in unit of 0.1) is adopted to set FRT as it is convenient to calculate the wage.
Example: (0.1) → 6 minutes, (0.2) → 12 minutes
[Labor cost per hour] x [FRT] = [Wage]
- FRT is set with a hand tool.
- Service items and FRT can be subject to change depending on development of tools and service equipment and improvement in service procedure.

Work procedure

- As the work procedure is set with the work time according to the method in the separate Service Manual, refer to this Manual as required.
- Work methods permitting servicing in the shortest time still permitting assurance of safe work and product warranty are used for the setting of service items not listed in the Service Manual.
- Work basically is to be performed by one person, and when two or more people are required, setting is done as the total time for the number of people.
- The set value for the technological level of the workers uses a person with three years of experience in the repair of Honda products as the standard.
- Special tools and service equipment used to set FRT are those specified or recommended in Service Manual.

Service item whose FRT is not presented

- Accessories and service parts that are not listed to use in this manual.
 - Locations with little aging deterioration or breakage during normal use.
 - Service work that can be finished by one touch.
 - Service work that is seldom done (i.e. extremely small causes of trouble and service frequency).
 - Products and parts whose location for installation differs according to its status of use and application.
- * When FRT is not presented, please calculate wages based on appropriate actual work time.

Operation not included of FRT

- Oil and coolant water draining, Waiting time for warming up operation and etc..
- Additional operation that involves removal/installation of standard exterior equipment.
- Indirect time spent for service by visiting the customer, trade-in, and delivery.
- Indirect time required for ordering and delivery of parts.
- Cost for grease, adhesive agent, etc. used for service work.

**Explanation of FRT by using an example
(The example may differ from the actual presented items)**

Ref. No.	L.O.N.	(Relative ref. Number) Description	F.R.T.
①	1111L1	(1, 3, 4, 7) VALVE, INTAKE4.1	②
③	1111L1A	• NOTE: OHV type	⑦
		• Includes: Engine removal and installation	
		One head (intake all) add1.4	⑤

- ① Reference No. of the illustration of part that shows location of the replacement work.
- ② FRT is an abbreviation of Flat Rate Time indicating the standard service time required for the replacement.
- ③ LON is an abbreviation of Labor Operation Number, and it is a classification of the service items by the work unit code.

The same operation code is used regardless of the models.

Standard operation is indicated with 6 digits code, and additional operation is indicated with 7 digits code.

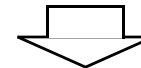
- ④ Indicating the intake valve replacement and FRT4.1.
- ⑤ Indicating FRT1.4 that will be added when additional operation (whole intake side of one cylinder head) is done in association with intake valve replacement.

- ⑥ Indicating work condition or application condition of the service item.
- ⑦ Indicating work contents that are included in the service item.
- ⑧ Indicating a reference No. whose operation and time are the same as FRT4.1 for the intake valve.

(The application range is limited to the service items without an LON setting within a same block.)

**How to refer to the service item by using the sample
(intake valve replacement)**

Open to the page of the block where the intake valve's spare part illustration is shown.



Look for the intake valve illustration, and refer to the service item and FRT that agree with the reference No.

Indication mark for the listing of service items that continues to the following page

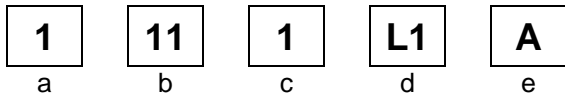
Ref. No.	L.O.N.	(Relative ref. Number) Description	F.R.T.
2	1111L1	VALVE, INTAKE	4.1
	•	•	•
	•	•	•

+
Mark indicated at the last line.

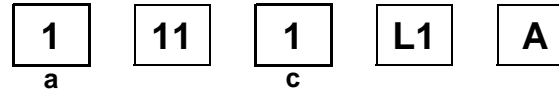
Indication of the block with no setting of FRT

Ref. No.	L.O.N.	(Relative ref. Number) Description	F.R.T.
NO INFORMATION			

• LON code system



- a) Category code..... Engine
- b) Location/function code Engine upper
- c) Operation code..... Replace
- d) Operation sequence number (Unit code can be shown with alphabet)
..... Intake valve
(No regular rule of code)
- e) Additional code One head (intake all)
(No regular rule of code)



a) Category codes and classification

Code	Category
1	Engine
2	Power drive
3	Fuel & Exhaust
4	Frame & Body
5	Steering
6	Electrical
7	Axle & Brake
8	Control system
9	-
0	Attachments

c) Operation codes and classification

Code	Operation category
1	Replace, Removal/Installation, Change
2	Overhaul
3	Adjust, Rotation
4	(Paint-related work: Top-coat)
5	Test, Inspect/diagnose, Measurement
6	(Overhaul-related work: Rebore)
7	(Overhaul-related work: Reseal)
8	(Resurface)
9	(Paint-related work: Refinish)
0	Repair, Cleaning, Air bleeding

Major service items without using spare parts

(1) Removal/Installation, (2) Adjustment, (3) Inspection/Measurement, (4) Overhaul, (5) Other work

E: Engine, T: Transmission, D: Drive system, B: Body and related parts

(2) Adjustment

	LON	DESCRIPTION	FRT
E	1113A1	VALVE CLEARANCE-ADJUSTMENT NOTE: For 1 product	0.8
	1163A0	CONTROL, THROTTLE/GOVERNOR-ADJUSTMENT	0.3
	3113A2	CARBURETOR IDLE-ADJUSTMENT	0.3

(3) Inspection, Measurement, Cleaning

	LON	DESCRIPTION	FRT
E	1105A0	ENGINE OIL-INSPECTION	0.1
	3120A0	AIR CLEANER-CLEANING INCLUDES: Air cleaner-inspection	0.2
	6140A0	SPARK PLUG-ADJUSTMENT/CLEANING NOTE: For 1 product	0.2

(4) Overhaul

Work condition: The required Measurements, inspections, adjustments, and cleaning/washing of each part are performed, including the main body removal/installation work and the replacement of defective parts.

	LON	DESCRIPTION	FRT
E	3112A0	CARBURETOR-OVERHAUL INCLUDES: All necessary adjustment	0.7

(5) Other work

	LON	DESCRIPTION	FRT
E	1101E1	ENGINE OIL-CHANGE INCLUDES: Engine oil-inspection	0.1

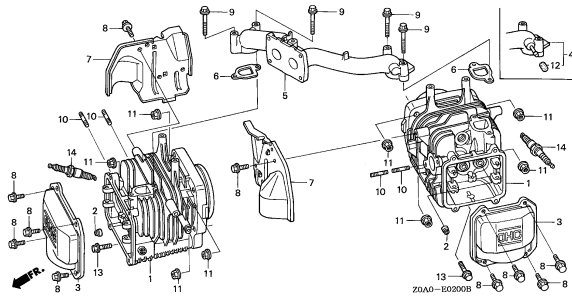
ENGINE GROUP

C 1

E-2

CYLINDER

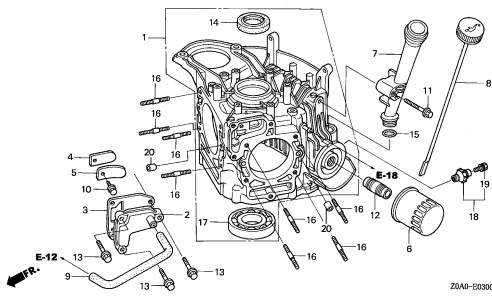
D 1



E-3

CRANKCASE

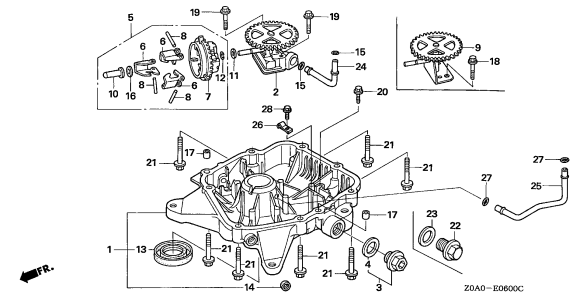
D 3



E-6

OIL PAN

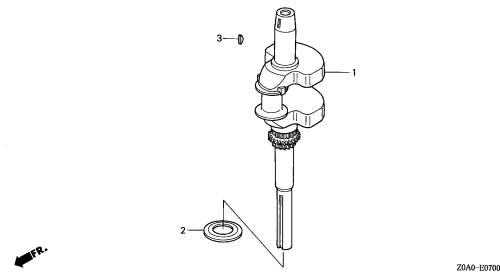
D 5



E-7

CRANKSHAFT

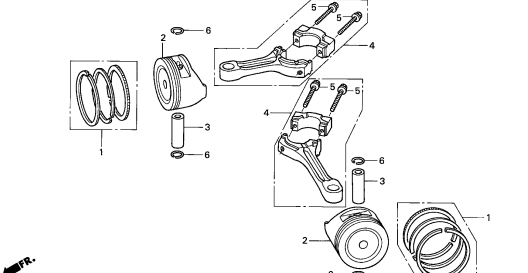
D 7



E-8

PISTON/CONNECTING ROD

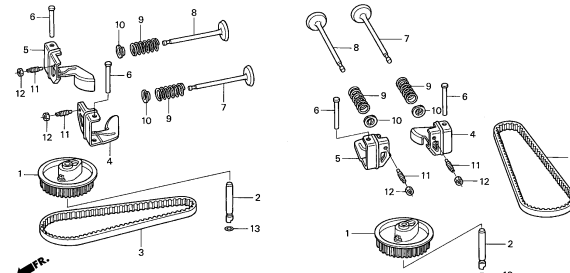
D 8



E-9

CAMSHAFT

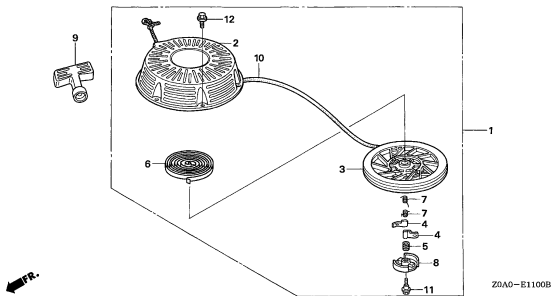
D 9



E-11

RECOIL STARTER

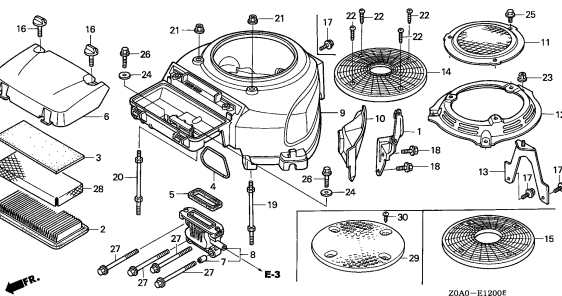
D13



E-12

FAN COVER

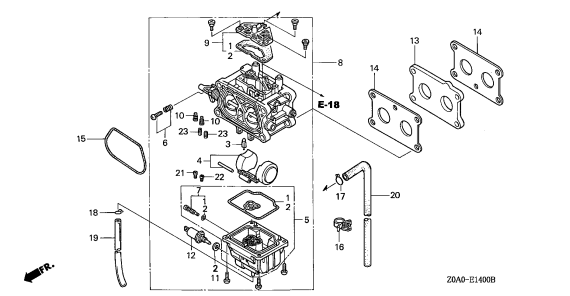
D14



E-14

CARBURETOR

E 2



2

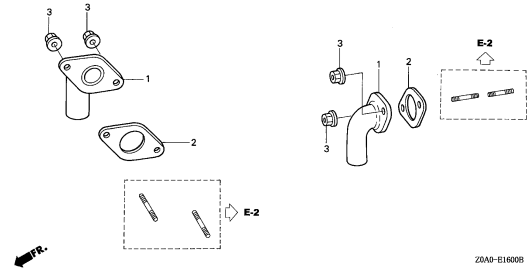
ENGINE GROUP

C 2

E-16

EXHAUST PIPE

E 5

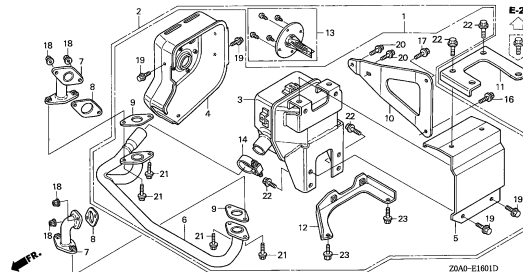


Z0A0-E1600B

E-16-1

MUFFLER

E 6

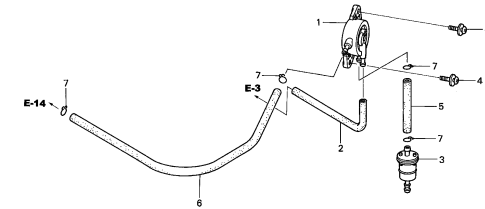


Z0A0-E1601D

E-18

FUEL PUMP

E 8

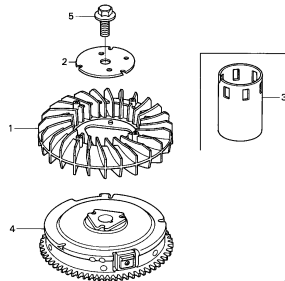


Z0A0-E1800B

E-19

FLYWHEEL

E10

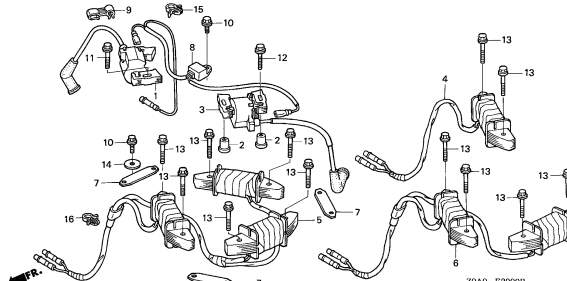


Z0A0-E1900A

E-20

IGNITION COIL

E11

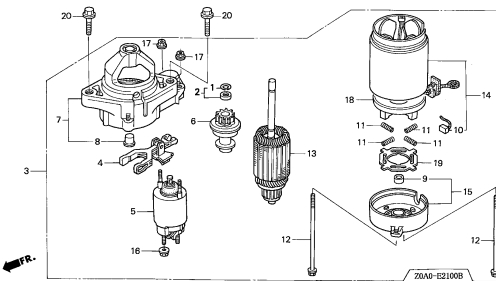


Z0A0-E2000B

E-21

STARTER MOTOR

E13

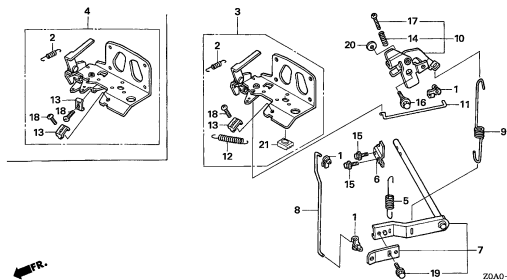


Z0A0-E2100B

E-22

CONTROL

E14

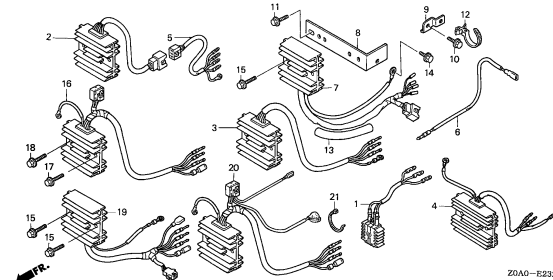


Z0A0-E2200F

E-23-20

REGULATOR RECTIFIER/SUB WIRE HARNESS

F 1

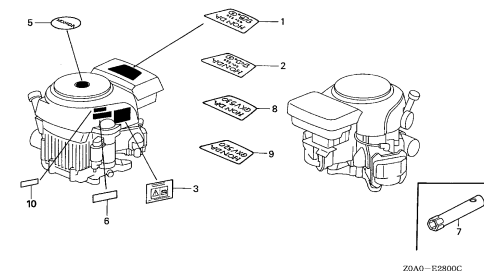


Z0A0-E2320P

E-28

LABEL

F 3



Z0A0-E2800C

2

ENGINE GROUP

C 3

E-40

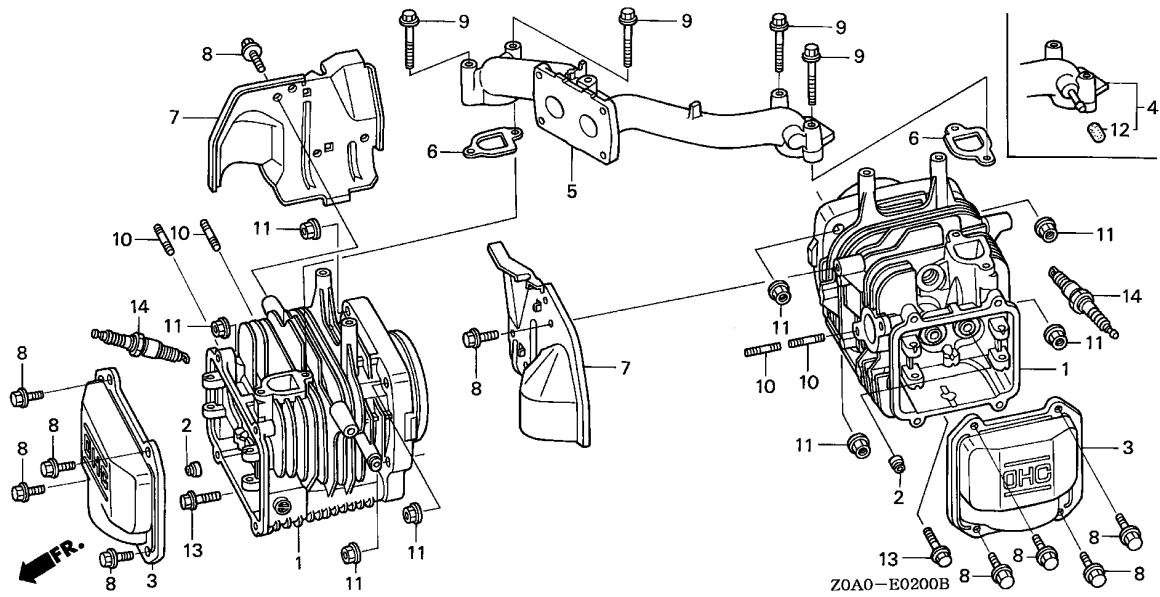
SUB WIRE HARNESS/SHROUD

F 5



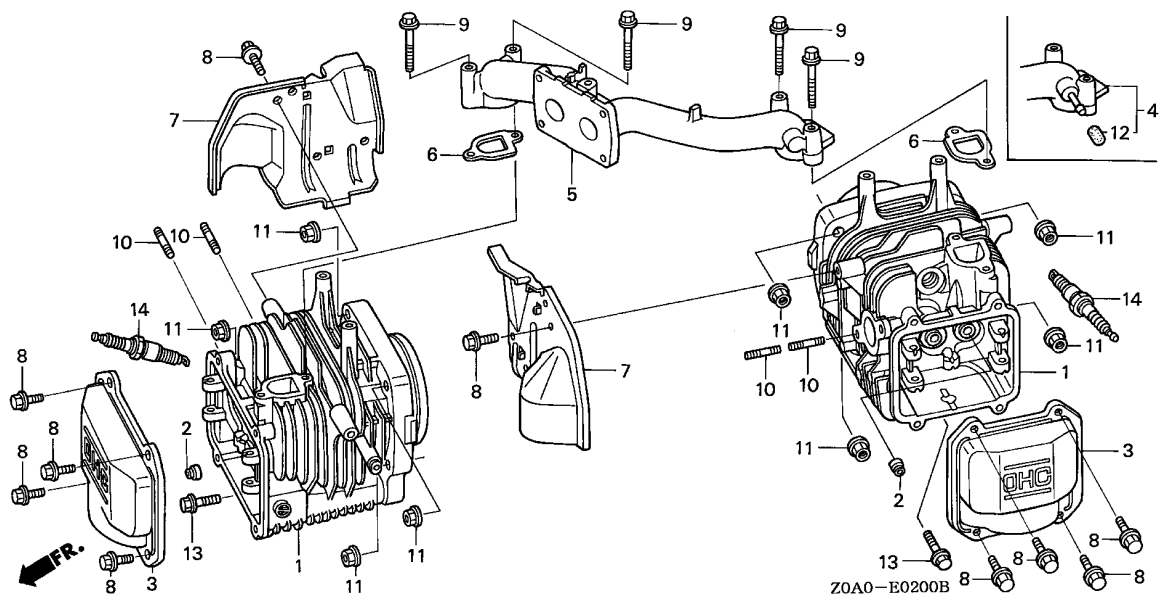
Z0A0-E4000A

2



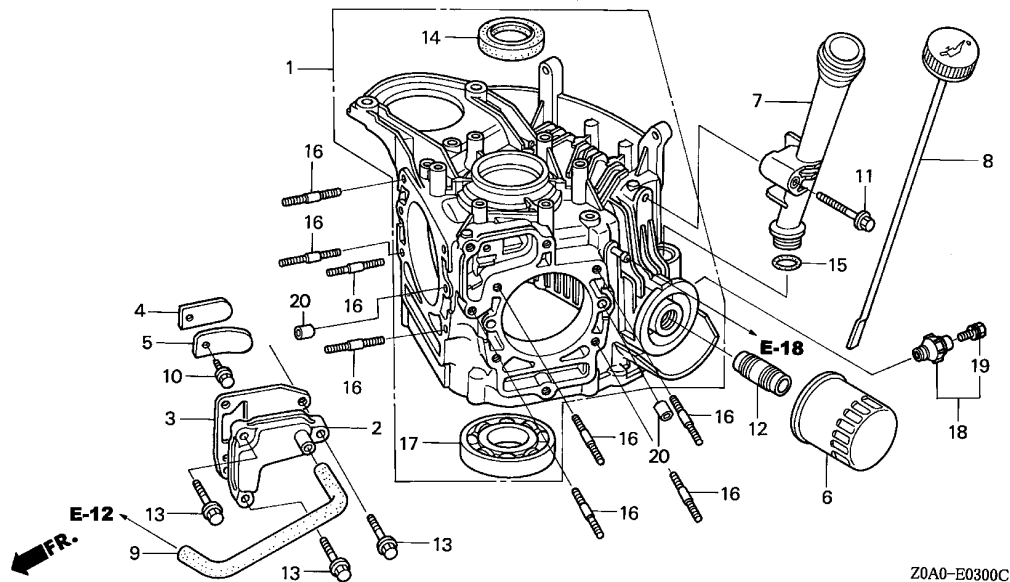
Ref. No.	L.O.N.	(Relative ref. Number) Description	F.R.T.
1	1111F2	HEAD, CYLINDER :LEFT BANKINCLUDES: Valve clearance adjustment and reface	1.5
	1111F3	HEAD, CYLINDER :RIGHT BANKINCLUDES: Valve clearance adjustment and reface	1.5
	1111L4	HEAD, CYLINDER :BOTH BANKSINCLUDES: Valve clearance adjustment and reface	2.0
3	1111D3	COVER, CYLINDER HEAD AND/OR PACKING, HEAD COVER :LEFT ...	0.1
	1111D4	COVER, CYLINDER HEAD AND/OR PACKING, HEAD COVER :RIGHT ..	0.1
	1111L5	COVER, CYLINDER HEAD AND/OR PACKING, HEAD COVER :BOTH ... (4)	0.2
5	3111C4	MANIFOLD, INTAKE	0.6
6	3111C9	PACKING, INTAKE MANIFOLDNOTE: Same time for two units	0.6
7	4141D9	SHROUD, ENGINE :LEFT	0.1
	4141E1	SHROUD, ENGINE :RIGHT	0.1
14	6141E6	PLUG, SPARK :LEFT BANK	0.1
	6141E7	PLUG, SPARK :RIGHT BANK	0.1
	6141E8	PLUG, SPARK :BOTH BANKS	0.2

Ref. No.	Part No.	Description	Reqd. QTY				Serial No.	Parts catalogue code
			GCV 520	GCV 530	GXV 520	GXV 530		
1	12100-Z0A-405	CYLINDER COMP.	2	2	-	-	----- AEE1,AEE1/A,CEE9,CEE9/A,PEE9,PEE9/A,QEA,QEA1,QEA1/A,QEA9,QEA9/A,SEE1,SEE2,SEE2/A,SEE4,SEE4/A,WEE1,WEE1/A	
	12100-Z0A-406	2	2	-	-	----- DXA,DXA1,EXA1,QEA3,QRA4,QXA4,QXU3,SXE3,VXU3	
2	12209-422-005	SEAL, VALVE STEM	2	2	2	2	-----	
3	12311-Z0A-000	COVER, HEAD	2	2	2	2	-----	
4	17100-Z0A-000	MANIFOLD ASSY., INTAKE	-	1	-	1	----- DXA2,DXA2/A,PEE9,PEE9/A	
			-	1	-	-	----- DXA1	
5	17101-Z0A-000	MANIFOLD, INTAKE	1	-	1	-	-----	
			-	1	-	1	----- AEE1,AEE1/A,CEE9,CEE9/A,DXA,DXA1/A,EEA1,EEA1/A,EXA1,EXA1/A,EXA2,EXA2/A,JXA3,JXA3/A,PXA1,PXA1/A,QEA,QEA1,QEA1/A,QEA3,QEA3/A,QRA4,QRA4/A,QRA5,QRA5/A,QXA4,QXA4/A,QXA5,QXA5/A,QXU3,QXU3/A,QXU4,QXU4/A,SEE2,SEE2/A,SXE3,SXE3/A,UXE3,UXE3/A,VXU3	
			-	-	-	1	----- DXA1	
6	17151-Z0A-000	PACKING, INTAKE MANIFOLD	2	2	2	2	-----	
7	19631-Z0A-000	SHROUD	2	2	2	-	-----	
			-	-	-	2	----- DXA1,DXA1/A,DXA2,DXA2/A,EXA1,EXA1/A,EXA2,EXA2/A,JXA3,JXA3/A,QEA3,QEA3/A,QRA4,QRA4/A,QRA5,QRA5/A,QXA4,QXA4/A,QXA5,QXA5/A,QXU3,QXU3/A,QXU4,QXU4/A,SXE3,SXE3/A,UXE3,UXE3/A	
			-	-	-	2	----- 1017807 PXA1	
8	90013-883-000	BOLT, FLANGE, 6X12(CT200) ...	10	10	10	-	-----	
			-	-	-	8	----- EEA1/A,PXA1/A	
			-	-	-	10	----- DXA1,DXA1/A,DXA2,DXA2/A,EXA1,EXA1/A,EXA2,EXA2/A,JXA3,JXA3/A,QEA3,QEA3/A,QRA4,QRA4/A,QRA5,QRA5/A,QXA4,QXA4/A,QXA5,QXA5/A,QXU3,QXU3/A,QXU4,QXU4/A,SXE3,SXE3/A,UXE3,UXE3/A	
			-	-	-	10	----- 1017807 PXA1	
			-	-	-	8	----- EEA1	
			-	-	-	8	----- 1017808 PXA1	



Ref. No.	Part No.	Description	Reqd. QTY				Serial No.	Parts catalogue code
			GCV 520	GCV 530	GXV 520	GXV 530		
9	90016-ZE8-000	BOLT, FLANGE, 6X45(CT200) ...	4	4	4	4		
10	90045-892-000	BOLT, STUD, 6X28	4	4	4	4		
11	90201-Z0A-000	NUT, FLANGE, 8MM	8	8	8	8		
12	90634-ZL8-H00	CAP, SEALING	-	1	-	1	----- DXA2,DXA2/A,PEE9,PEE9/A	
			-	1	-	-	----- DXA1	
13	95701-06030-00	BOLT, FLANGE, 6X30	2	2	2	2		
14	98079-54846	PLUG, SPARK (BPR4ES)(NGK) ...	(2)	(2)	(2)	(2)		
	98079-54855	PLUG, SPARK (W14EPR-U)(DENSO)	(2)	(2)	(2)	(2)		
	98079-55846	PLUG, SPARK (BPR5ES)(NGK) ...	2	2	2	2		
	98079-55855	PLUG, SPARK (W16EPR-U)(DENSO)	2	2	2	2		

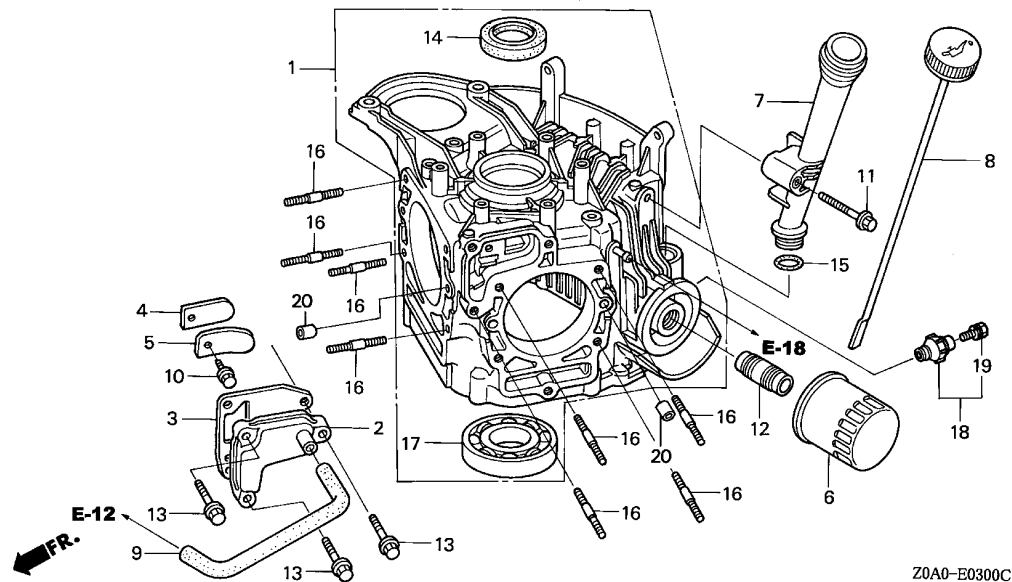




Z0A0-E0300C

Ref. No.	L.O.N.	(Relative ref. Number) Description	F.R.T.
1	1101B7	CRANKCASE	3.2
2		(3)	
	1111D1	COVER, BREATHER AND/OR PACKING, BREATHER COVER	0.7
6	110175	CARTRIDGE, OIL FILTER	0.1
7		(15)	
	1101B9	EXTENSION, OIL FILLER AND/OR PACKING, EXTENSION OIL FILLER	0.2
9	1111K5	TUBE, BREATHER	0.3
14	1101E6	OIL SEAL, CRANKSHAFT :UPPER ..	2.0
17	1101J6	BEARING, CRANKSHAFT :UPPER ...	2.1

Ref. No.	Part No.	Description	Reqd. QTY				Serial No.	Parts catalogue code
			GCV 520	GCV 530	GXV 520	GXV 530		
1	11100-Z0A-405	CRANKCASE ASSY.	1	1	-	-	QEA,QEA1,QEA1/A,QEA9,QEA9/A	
	11100-Z0A-407	1	-	-	-	CEE9	
			-	1	-	-	1006762	
			-	1	-	-	1003414	
			-	1	-	-	1007410	
	11100-Z0A-408	1	1	-	-	CEE9	
	11100-Z0A-416	1	1	1	1	AAE1, AEE1/A, SEE1, SEE2, SEE2/A, SEE4, SEE4/A, WEE1, WEE1/A	
	11100-Z0A-417	1	1	-	1	QRA4, QRA4/A, QRA5, QRA5/A, QXA4, QXA4/A, QXA5, QXA5/A	
							CEE9/A, EXA1/A, JXA3, JXA3/A, PEE9, PEE9/A, QEA3/A, QXU3/A, QXU4	
							QXU4/A, SXE3/A, UXE3, UXE3/A	
			1	-	1	1	EXA1, QEA3, QXU3, SXE3	
			1	-	-	-	1006763	
			-	1	-	-	CEE9	
			-	1	-	-	1003415	
			-	1	-	-	1007411	
			-	-	-	1	CEE9	
	11100-Z0A-409	-	-	-	1	DXA1, DXA1/A, DXA2, DXA2/A, EEA1, EEA1/A, EXA2, EXA2/A, PXA1, PXA1/A	
2	12356-Z0A-000	COVER, BREATHER	1	1	1	1		
3	12358-Z0A-000	PACKING, BREATHER COVER	1	1	1	1		
4	12372-ZA0-701	PLATE, VALVE	1	1	1	1		
5	12374-Z0A-000	STOPPER, VALVE	1	1	1	1		
6	15400-PFB-004	CARTRIDGE, OIL FILTER (TOYO ROKI)	1	1	-	1	CEE9/A, DXA, EXA1, EXA1/A, JXA3, JXA3/A, QEA3, QEA3/A, QRA4, QRA4/A	
							QRA5, QRA5/A, QXA4, QXA4/A, QXA5, QXA5/A, QXU3, QXU3/A, QXU4, QXU4/A	
							SXE3, SXE3/A, UXE3, UXE3/A	
			1	1	-	-	CEE9, DXA1, PEE9, PEE9/A, VXU3	
			-	-	1	-		
	15410-MCJ-000	-	-	-	1	DXA1, DXA1/A, DXA2, DXA2/A, EEA1, EEA1/A, EXA2, EXA2/A, PXA1, PXA1/A	
	15400-PLM-A01	CARTRIDGE, OIL FILTER (FILTECH TOYO ROKI)	-	-	(1)	-		
			-	-	-	(1)	JXA3, JXA3/A, QEA3, QEA3/A, QRA4, QRA4/A, QRA5, QRA5/A, QXA4, QXA4/A	
							QXA5, QXA5/A	

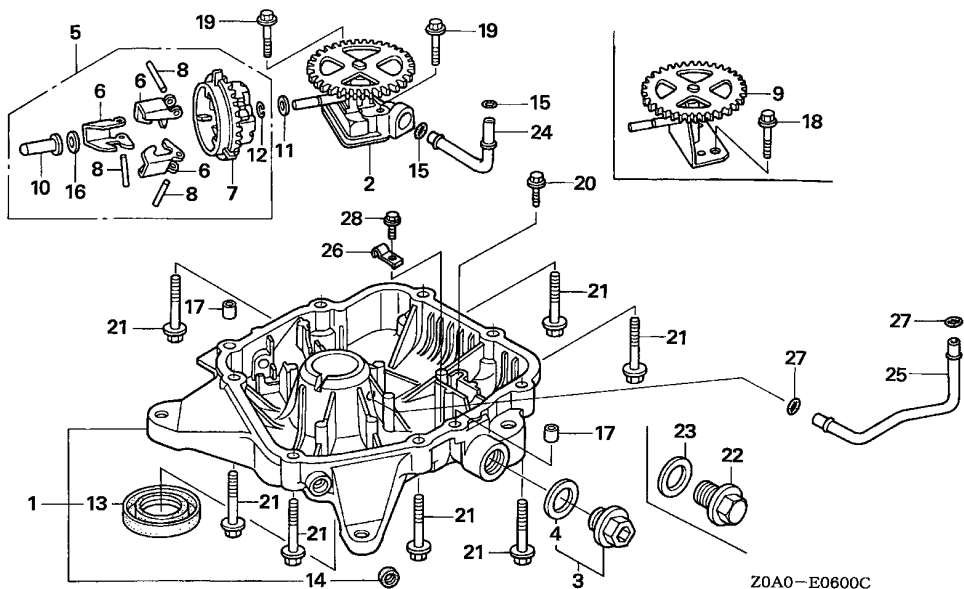


Ref. No.	Part No.	Description	Reqd. QTY				Serial No.	Parts catalogue code
			GCV 520	GCV 530	GXV 520	GXV 530		
(6)	15400-PLM-A02	CARTRIDGE, OIL FILTER (HONEYWELL)	-	-	(1)	-	-----	JXA3, JXA3/A, QEA3, QEA3/A, QRA4, QRA4/A, QRA5, QRA5/A, QXA4, QXA4/A, QXA5, QXA5/A
7	15631-Z0A-000	EXTENSION, OIL FILLER	1	1	1	1	-----	EXA1, EXA1/A, JXA3, JXA3/A, QEA3, QEA3/A, QRA4, QRA4/A, QRA5, QRA5/A, QXA4, QXA4/A, QXA5, QXA5/A, QXU3, QXU3/A, QXU4, QXU4/A, SXE3, SXE3/A, UXE3, UXE3/A
8	15655-Z0A-000	GAUGE COMP., OIL LEVEL	-	-	-	1	-----	DXA1, DXA1/A, DXA2, DXA2/A, EEA1, EEA1/A, EXA2, EXA2/A, PXA1, PXA1/A
	15655-Z0A-800	-	-	-	1	-----	
9	15721-Z0A-000	TUBE, BREATHER	1	1	1	1	-----	
10	90002-892-000	BOLT, FLANGE, 5X10	1	1	1	1	-----	
11	90016-ZE8-000	BOLT, FLANGE, 6X45(CT200) ...	1	1	1	1	-----	
12	90018-PN3-000	HOLDER, OIL FILTER	1	1	-	-	-----	CEE9, CEE9/A, DXA, DXA1, EXA1, PEE9, PEE9/A, QEA3, QRA4, QXA4, QXU3, SXE3, VXU3
13	90121-952-000	BOLT, FLANGE, 6X25(CT200) ...	-	-	1	1	-----	
14	91201-ZE3-004	OIL SEAL, 35X52X8	1	1	1	1	-----	
15	91301-ZE9-003	O-RING, 22.5X2.2	1	1	1	1	-----	
16	92900-08028-0E	BOLT, STUD, 8X28	8	8	8	8	-----	
17	96100-62070-00	BEARING, RADIAL BALL, 6207 ..	1	1	1	1	-----	
18	35490-Z0A-003	SWITCH ASSY., OIL PRESSURE ..	-	-	-	1	-----	DXA1, DXA1/A, DXA2, DXA2/A, EEA1, EEA1/A, EXA2, EXA2/A, PXA1, PXA1/A
19	90002-PA6-003	BOLT-WASHER, 4X8(DENSO)	-	-	-	1	-----	DXA1, DXA1/A, DXA2, DXA2/A, EEA1, EEA1/A, EXA2, EXA2/A, PXA1, PXA1/A
20	94301-08140	DOWEL PIN, 8X14	4	4	4	4	-----	

E-6

OIL PAN

D 5

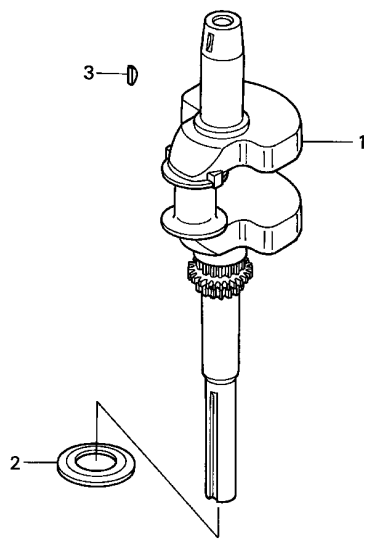


Ref. No.	L.O.N.	(Relative ref. Number) Description	F.R.T.
1	1131C1	PAN, OIL	0.7
2	1131C4	PUMP, OIL	0.7
4	1101C6	PACKING, OIL FILLER CAP	0.1
7		(6)	
	1161A7	HOLDER, GOVERNOR WEIGHT	0.8
9	1161E0	SHAFT, GOVERNOR	0.7
13	1101E7	OIL SEAL, CRANKSHAFT :LOWER ..	0.4
14	1101C4	OIL SEAL, GOVERNOR ARM SHAFT ..	0.5
23	1101D5	WASHER, DRAIN PLUG	0.1
24	1131C7	PIPE, OIL PUMP	0.6
25		(27)	
	1131C8	PIPE, OIL SUPPLY	0.6

Ref. No.	Part No.	Description	Reqd. QTY				Serial No.	Parts catalogue code
			GCV 520	GCV 530	GXV 520	GXV 530		
1	11300-Z0A-000	PAN ASSY., OIL	1	-	-	-	1006762 CEE9, QEA, QEA1, QEA9	
			-	1	-	-	1003738 QEA3, QRA4, QXA4	
			-	1	-	-	1008000 CEE9, QEA, QEA1	
	11300-Z0A-810	1	-	-	-	1006422 SEE1, WEE1	
			-	1	-	-	1003414 EXA1, QXU3, SXE3, VXU3	
	11300-Z0A-010	1	1	-	1	----- CEE9/A, JXA3, JXA3/A, PEE9, PEE9/A, QEA1/A, QEA3/A, QEA9/A, QXU4	
							----- QXU4/A	
			1	-	1	1	----- QEA3	
			1	-	-	-	----- QRA4, QXA4	
			1	-	-	-	1006763 CEE9, QEA, QEA1, QEA9	
			-	1	-	-	1003739 QEA3, QRA4, QXA4	
			-	1	-	-	1008001 CEE9, QEA, QEA1	
	11300-Z0A-801	-	1	-	1	----- DXA, DXA1, DXA1/A, DXA2, DXA2/A	
	11300-Z0A-811	1	1	-	1	----- AEE1, AEE1/A, EXA1/A, EXA1/A, QXU3/A, SEE2, SEE2/A, SEE4, SEE4/A, SXE3/A, UXE3	
							----- UXE3/A, WEE1/A	
			1	-	-	-	1006423 SEE1, WEE1	
			-	1	-	-	1003415 EXA1, QXU3, SXE3, VXU3	
			-	-	-	1	----- EXA1, QXU3, SXE3	
	11300-Z0A-820	-	-	1	1	----- QRA4, QRA4/A, QXA4, QXA4/A	
	11300-Z0A-830	-	-	1	1	----- EEA1, EEA1/A, EXA2, EXA2/A, PXA1, PXA1/A, QRA5, QRA5/A, QXA5, QXA5/A	
2	15100-Z0A-800	PUMP ASSY., OIL	1	1	1	1	----- CEE9/A, DXA, EXA1, EXA1/A, JXA3, JXA3/A, QEA3, QEA3/A, QXU3, QXU3/A	
							----- QXU4, QXU4/A, SXE3, SXE3/A, UXE3, UXE3/A	
			1	1	-	-	----- CEE9, DXA1, PEE9, PEE9/A, QRA4, QXA4, VXU3	
	15100-Z0A-811	-	-	1	1	----- DXA1, DXA1/A, DXA2, DXA2/A, EEA1, EEA1/A, EXA2, EXA2/A, PXA1, PXA1/A	
							----- QRA4, QRA4/A, QRA5, QRA5/A, QXA4, QXA4/A, QXA5, QXA5/A	
3	15550-Z0A-810	CAP ASSY., DRAIN	1	1	-	1	----- AEE1, AEE1/A, EEA1, EEA1/A, EXA1, EXA1/A, EXA2, EXA2/A, PXA1, PXA1/A	
							----- QRA5/A, QXA5/A, QXU3, QXU3/A, SEE1, SEE2, SEE2/A, SEE4, SEE4/A, SXE3	
							----- SXE3/A, UXE3, UXE3/A, VXU3, WEE1, WEE1/A	
	15550-Z0A-800	-	-	-	1	----- DXA1, DXA1/A, DXA2, DXA2/A	

Ref. No.	Part No.	Description	Reqd. QTY				Serial No.	Parts catalogue code
			GCV 520	GCV 530	GXV 520	GXV 530		
4	15625-ZE1-003	PACKING, OIL FILLER CAP	1	1	-	1	----- AEE1, AEE1/A, DXA1/A, DXA2, DXA2/A, EEA1, EEA1/A, EXA1, EXA1/A, EXA2, EXA2/A, PXA1, PXA1/A, QRA5/A, QXA5/A, QXU3, QXU3/A, SEE1, SEE2, SEE2/A, SEE4, SEE4/A, SXE3, SXE3/A, UXE3, UXE3/A, VXU3, WEE1, WEE1/A	
5	16510-Z0A-000	GOVERNOR ASSY.	1	1	1	1	----- DXA1	
6	16511-Z0A-000	WEIGHT, GOVERNOR	3	3	3	3		
7	16512-Z0A-000	HOLDER, GOVERNOR WEIGHT	1	1	1	1		
8	16513-ZE2-000	PIN, GOVERNOR WEIGHT	3	3	3	3		
9	16520-Z0A-000	SHAFT COMP., GOVERNOR	1	1	-	-	----- AEE1, AEE1/A, QEA, QEA1, QEA1/A, QEA9, QEA9/A, SEE1, SEE2, SEE2/A, SEE4, SEE4/A, WEE1, WEE1/A	
10	16531-Z0A-000	SLIDER, GOVERNOR	1	1	1	1		
11	90473-147-000	WASHER, 6X16	1	1	1	1		
12	90602-ZE1-000	CLIP, GOVERNOR HOLDER	1	1	1	1		
13	91202-Z0A-003	OIL SEAL, 31X50X8	1	1	1	1		
14	91206-333-003	OIL SEAL, 10X16X4.5	1	1	1	1		
15	91303-428-003	O-RING, 7.7X2.5	2	-	-	-	----- QEA3, QRA4, QXA4	
			2	-	-	-	----- 1006762 CEE9	
			-	2	-	-	----- 1003414 DXA, DXA1, EXA1, QEA3, QRA4, QXA4, QXU3, SXE3, VXU3	
			-	2	-	-	----- 1007410 CEE9	
91301-Z0A-003	O-RING, 7.5X2.3	2	2	-	-	-	----- CEE9/A, PEE9, PEE9/A	
			2	-	-	-	----- 1006763 CEE9	
			-	2	-	-	----- 1003415 DXA, DXA1, EXA1, QEA3, QRA4, QXA4, QXU3, SXE3, VXU3	
			-	2	-	-	----- 1007411 CEE9	
			-	-	2	2		
16	94101-06800	WASHER, PLAIN, 6MM	1	1	1	1		
17	94301-08140	DOWEL PIN, 8X14	2	2	2	2		
18	95701-06016-00	BOLT, FLANGE, 6X16	2	2	-	-	----- AEE1, AEE1/A, QEA, QEA1, QEA1/A, QEA9, QEA9/A, SEE1, SEE2, SEE2/A, SEE4, SEE4/A, WEE1, WEE1/A	
19	95701-06030-00	BOLT, FLANGE, 6X30	2	2	2	2	----- CEE9/A, DXA, EXA1, EXA1/A, JXA3, JXA3/A, QEA3, QEA3/A, QXU3, QXU3/A, QXU4, QXU4/A, SXE3, SXE3/A, UXE3, UXE3/A	
			2	2	-	-	----- CEE9, DXA1, EEA1, PEE9, PEE9/A, QRA4, QXA4, VXU3	
95701-06035-00	BOLT, FLANGE, 6X35	-	-	2	2	-	----- DXA1, DXA1/A, DXA2, DXA2/A, EEA1, EEA1/A, EXA2, EXA2/A, PXA1, PXA1/A, QRA4, QRA4/A, QRA5, QRA5/A, QXA4, QXA4/A, QXA5, QXA5/A	
20	95701-06022-00	BOLT, FLANGE, 6X22	1	1	1	1	----- CEE9/A, DXA, EXA1, EXA1/A, JXA3, JXA3/A, QEA3, QEA3/A, QXU3, QXU3/A, QXU4, QXU4/A, SXE3, SXE3/A, UXE3, UXE3/A	
			1	1	-	-	----- CEE9, DXA1, PEE9, PEE9/A, QRA4, QXA4, VXU3	
21	95701-08040-00	BOLT, FLANGE, 8X40	7	7	7	7		
22	92800-20000	BOLT, DRAIN PLUG, 20MM	1	1	-	1	----- CEE9, CEE9/A, JXA3, JXA3/A, PEE9, PEE9/A, QEA, QEA1, QEA1/A, QEA3, QEA3/A, QEA9, QEA9/A, QRA4, QRA4/A, QRA5, QXA4, QXA4/A, QXA5, QXU4, QXU4/A	
23	94109-20000	WASHER, DRAIN PLUG, 20MM	1	1	-	1	----- CEE9, CEE9/A, JXA3, JXA3/A, PEE9, PEE9/A, QEA, QEA1, QEA1/A, QEA3, QEA3/A, QEA9, QEA9/A, QRA4, QRA4/A, QRA5, QXA4, QXA4/A, QXA5, QXU4, QXU4/A	
			-	-	1	-	----- CEE9, CEE9/A, PEE9, PEE9/A	
24	15161-Z0A-000	PIPE, OIL PUMP	1	1	-	-	----- CEE9, CEE9/A, PEE9, PEE9/A	
25	15162-Z0A-800	PIPE, OIL SUPPLY	-	-	1	1	----- DXA1, DXA1/A, DXA2, DXA2/A, EEA1, EEA1/A, EXA2, EXA2/A, PXA1, PXA1/A, QRA4, QRA4/A, QRA5, QRA5/A, QXA4, QXA4/A, QXA5, QXA5/A	
26	15163-Z0A-000	HOLDER, OIL PIPE	-	-	1	1	----- DXA1, DXA1/A, DXA2, DXA2/A, EEA1, EEA1/A, EXA2, EXA2/A, PXA1, PXA1/A, QRA4, QRA4/A, QRA5, QRA5/A, QXA4, QXA4/A, QXA5, QXA5/A	
27	91302-Z0A-003	O-RING, 5.8X2	-	-	2	2	----- DXA1, DXA1/A, DXA2, DXA2/A, EEA1, EEA1/A, EXA2, EXA2/A, PXA1, PXA1/A, QRA4, QRA4/A, QRA5, QRA5/A, QXA4, QXA4/A, QXA5, QXA5/A	
28	95701-06012-00	BOLT, FLANGE, 6X12	-	-	1	1	----- DXA1, DXA1/A, DXA2, DXA2/A, EEA1, EEA1/A, EXA2, EXA2/A, PXA1, PXA1/A, QRA4, QRA4/A, QRA5, QRA5/A, QXA4, QXA4/A, QXA5, QXA5/A	



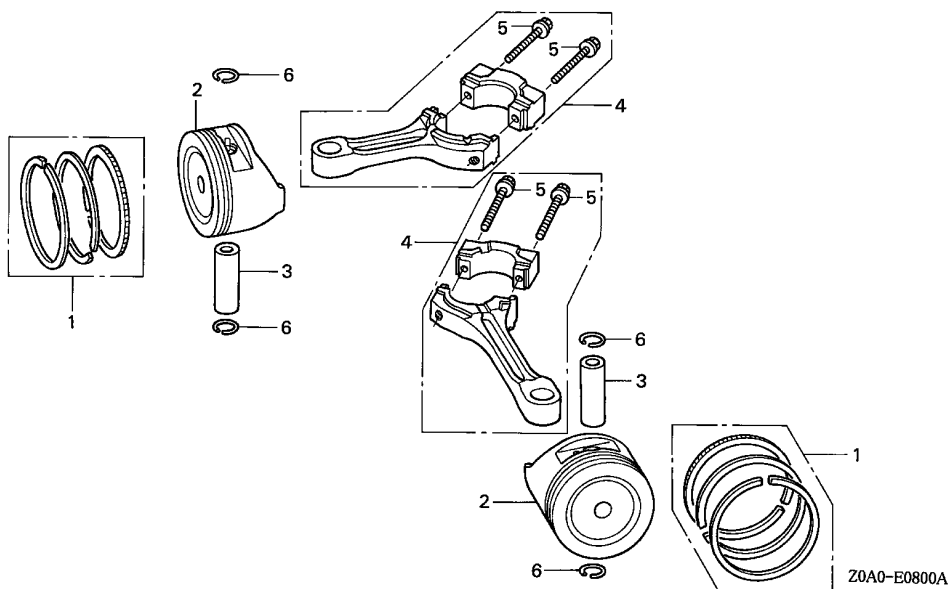


Z0A0-E0700

Ref. No.	L.O.N.	(Relative ref. Number) Description	F.R.T.
1	1101F0	CRANKSHAFT	1.9

Ref. No.	Part No.	Description	Reqd. QTY				Serial No.	Parts catalogue code
			GCV 520	GCV 530	GXV 520	GXV 530		
1	13310-Z0A-000	CRANKSHAFT COMP.	1	1	-	-	-----	EXA1, EXA1/A, JXA3, JXA3/A, QEA3, QEA3/A, QXU3, QXU3/A, QXU4, QXU4/A, SXE3, SXE3/A, UXE3, UXE3/A
	13310-Z0A-800	-	-	1	1	-----	DXA1, DXA1/A, DXA2, DXA2/A, EEA1, EEA1/A, EXA2, EXA2/A, PXA1, PXA1/A, QRA4, QRA4/A, QRA5, QRA5/A, QXA4, QXA4/A, QXA5, QXA5/A
2	90401-Z0A-000	WASHER, THRUST	1	1	1	1		
3	90741-ZE2-000	KEY, SPECIAL WOODRUFF, 25X18	1	1	1	1		

2



Ref. No.	L.O.N.	(Relative ref. Number) Description	F.R.T.
2	(1,3,4)		
1111R2		PISTON AND/OR RING SET AND/OR BEARING AND/OR ROD (1 CYLINDER) :LEFT BANKINCLUDES: Inspection/Measurement/Cleaning	2.3
1111R3		PISTON AND/OR RING SET AND/OR BEARING AND/OR ROD (1 CYLINDER) :RIGHT BANKINCLUDES: Inspection/Measurement/Cleaning	2.3
1111R4		PISTON AND/OR RING SET AND/OR BEARING AND/OR ROD (ALL CYLINDERS) :BOTH BANKS . .INCLUDES: Inspection/Measurement/Cleaning	2.8

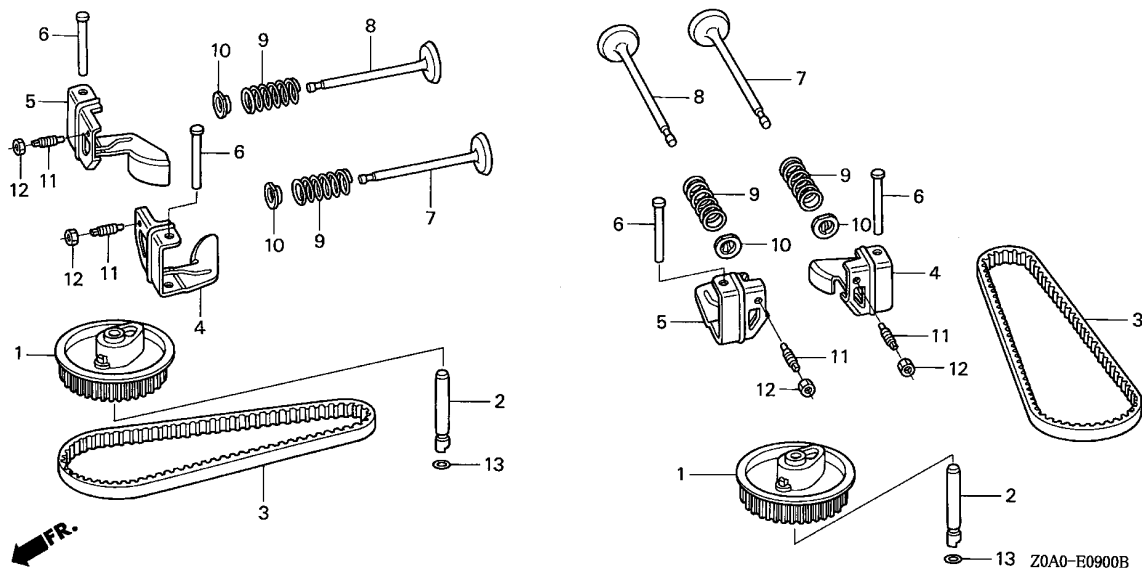
Ref. No.	Part No.	Description	Reqd. QTY				Serial No.	Parts catalogue code
			GCV 520	GCV 530	GXV 520	GXV 530		
1	13010-ZJ1-841	RING SET, PISTON (STD.) (NIPPON)	-	2	-	-	1003414	DXA,DXA1,EXA1,QEA3,QRA4,QXA4,QXU3,SXE3,VXU3
	13010-Z0A-003	2	-	2	2	-----	SEE2/A
			-	2	-	-	1003415	DXA,DXA1,EXA1,QEA3,QRA4,QXA4,QXU3,SXE3,VXU3
	13010-Z0A-014	RING SET, PISTON (STD.) (TEIKOKU)	2	-	2	2	-----	SEE2/A
			-	2	-	-	1003415	DXA,DXA1,EXA1,QEA3,QRA4,QXA4,QXU3,SXE3,VXU3
2	13101-Z0A-800	PISTON (STD.)	2	2	-	-	-----	DXA1,EXA1,QEA3,QRA4,QXA4,QXU3,SXE3
			-	2	-	2	-----	DXA,DXA1/A,DXA2/A,EEA1,EEA1/A,EXA1/A,EXA2,EXA2/A,JXA3,JXA3/A,PXA1,PXA1/A,QEA3/A,QRA4/A,QRA5/A,QXA4/A,QXA5/A,QXU3/A,QXU4,QXU4/A,SXE3/A,UXE3,UXE3/A,VXU3
	13101-Z0A-000	2	2	-	2	-----	SEE2/A
			-	-	2	-	-----	DXA1,EXA1,QEA3,QRA4,QXA4,QXU3,SXE3
3	13111-ZJ1-840	PIN, PISTON	2	2	2	2	-----	EXA1,EXA1/A,JXA3,JXA3/A,QEA3,QEA3/A,QXU3,QXU3/A,QXU4,QXU4/A,SXE3,SXE3/A,UXE3,UXE3/A
4	13200-Z0A-003	ROD ASSY., CONNECTING	2	2	-	-	-----	DXA1,DXA1/A,DXA2,DXA2/A,EEA1,EEA1/A,EXA2,EXA2/A,PXA1,PXA1/A,QRA4,QRA4/A,QRA5,QRA5/A,QXA4,QXA4/A,QXA5,QXA5/A
	13200-Z0A-801	-	-	2	2	-----	
5	90001-ZN1-000	BOLT, CONNECTING ROD, 6X37	4	4	4	4		
6	90551-ZE1-000	CLIP, PISTON PIN, 18MM	4	4	4	4		



E-9

CAMSHAFT

D 9



Ref. No.	L.O.N. (Relative ref. Number)	Description	F.R.T.
1	(2,13)		
	1111S7	PULLEY, CAMSHAFT :LEFT BANK ..	0.4
	1111S7B	.Replace right bank side add ..	0.3
	1111S8	PULLEY, CAMSHAFT :RIGHT BANK ..	0.4
	1111S8B	.Replace left bank side add ..	0.3
3	1111S9	BELT, TIMING :LEFT BANK	0.6
	1111S9A	.Replace right bank side add ..	0.4
	1111T0	BELT, TIMING :RIGHT BANK	0.6
	1111T0A	.Replace left bank side add ..	0.4
4	1111T1	ARM, ROCKER :LEFT BANK INTAKE ..	0.4
		.INCLUDES: Valve clearance adjustment	
	1111T1A	.Replace left bank exhaust rocker arm add	0.1
	1111T1B	.Replace both heads (intake and exhaust all) add ..	0.3
	1111T2	ARM, ROCKER :RIGHT BANK INTAKE ..	0.4
		.INCLUDES: Valve clearance adjustment	
	1111T2A	.Replace right bank exhaust rocker arm add	0.1
	1111T2B	.Replace both heads (intake and exhaust all) add ..	0.3
+ 5	1111U3	ARM, ROCKER :LEFT BANK EXHAUST ..	0.4

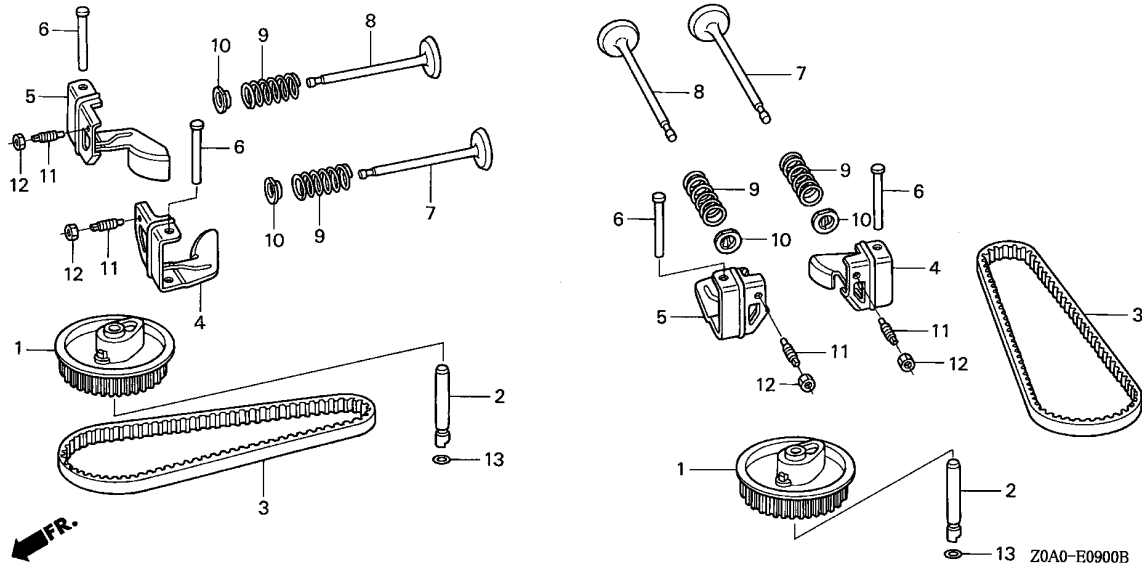
Ref. No.	Part No.	Description	Reqd. QTY				Serial No.	Parts catalogue code
			GCV 520	GCV 530	GXV 520	GXV 530		
1	14320-Z0A-000	PULLEY COMP., CAMSHAFT	2	2	2	2		
2	14324-ZL8-000	SHAFT, CAM PULLEY	2	2	2	2		
3	14400-Z0A-003	BELT, TIMING (97HU8 G-200) ..	2	2	2	2		
4	14431-Z0A-000	ARM, IN. VALVE ROCKER	2	2	2	2		
5	14441-Z0A-000	ARM, EX. VALVE ROCKER	2	2	2	2		
6	14461-Z0A-000	SHAFT, ROCKER ARM	4	4	4	4		
7	14711-Z0A-000	VALVE, IN.	2	2	2	2		
8	14721-Z0A-000	VALVE, EX.	2	2	2	2		
9	14751-ZE1-000	SPRING, VALVE	4	4	4	4		
10	14771-ZE1-000	RETAINER, IN. VALVE SPRING ..	4	4	4	4		
11	90012-333-000	SCREW, TAPPET ADJUSTING	4	4	4	4		
12	90206-001-000	NUT, TAPPET ADJUSTING	4	4	4	4		
13	91301-ZM0-V31	O-RING, 6.8X1.9(ARAI)	2	2	2	2		

2

E-9

CAMSHAFT

D10



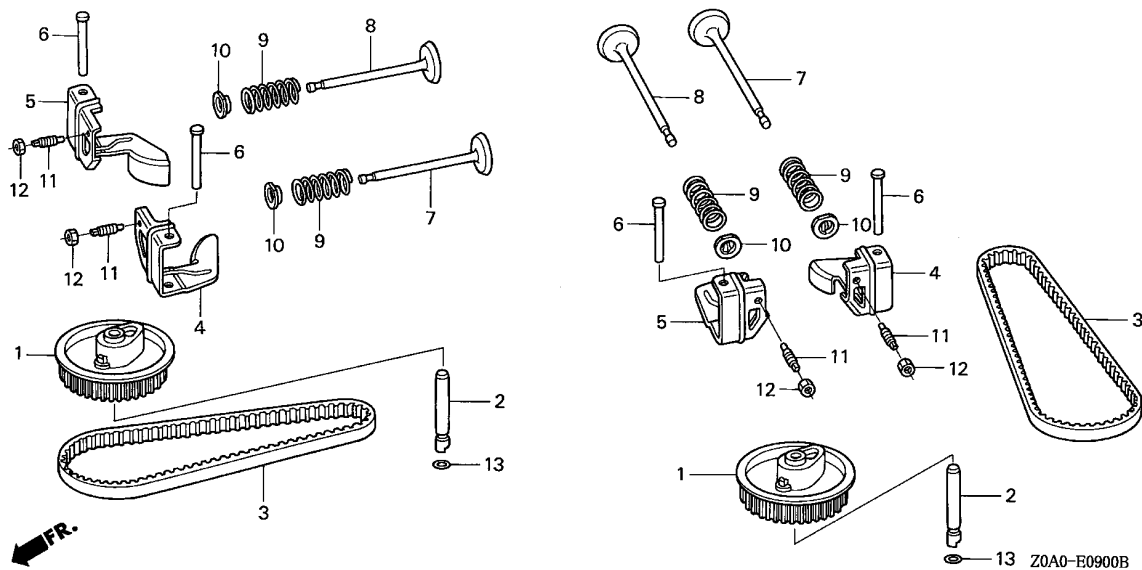
Ref. No.	L.O.N.	(Relative ref. Number) Description	F.R.T.
+ 5		.INCLUDES: Valve clearance adjustment	
1111U3A		.Replace left bank intake rocker arm add	0.1
1111U3B		.Replace both heads (intake and exhaust all) add	0.3
1111U4		ARM, ROCKER :RIGHT BANK EXHAUST	0.4
		.INCLUDES: Valve clearance adjustment	
1111U4A		.Replace right bank intake rocker arm add	0.1
1111U4B		.Replace both heads (intake and exhaust all) add	0.3
7 1111T9		VALVE, INTAKE(ONE) :LEFT BANK .INCLUDES: Valve clearance adjustment and reface	1.5
1111T9B		.Replace one head(intake and exhaust all) add	0.1
1111T9C		.Replace both heads (intake and exhaust all) add	0.4
1111U1		VALVE, INTAKE(ONE) :RIGHT BANK .INCLUDES: Valve clearance adjustment and reface	1.5
+			

2

E-9

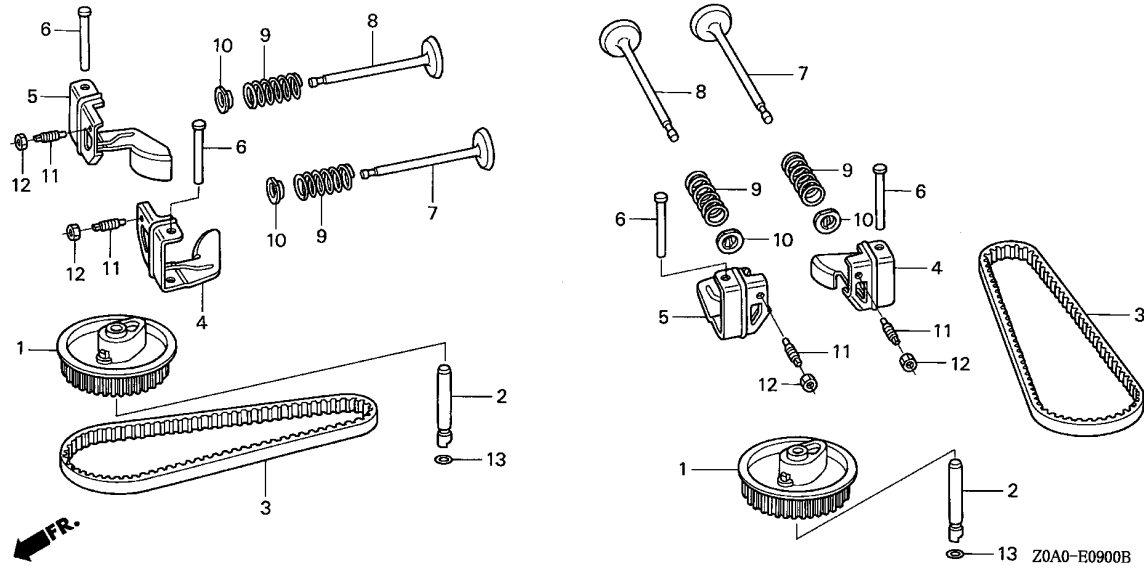
CAMSHAFT

D11



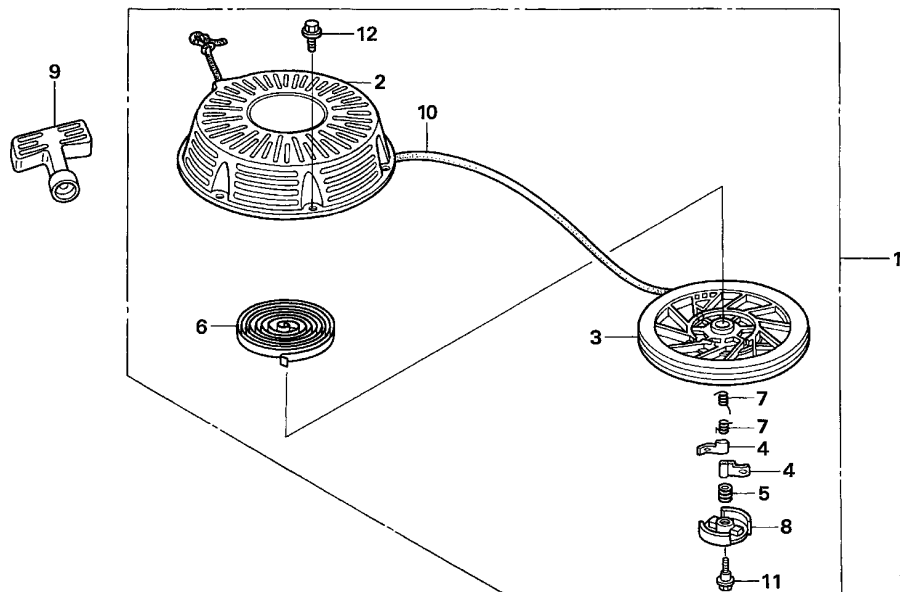
Ref. No.	L.O.N.	(Relative ref. Number) Description	F.R.T.
+ 7	1111U1B	.Replace one head(intake and exhaust all) add	0.1
	1111U1C	.Replace both heads (intake and exhaust all) add	0.4
8	1111U0	VALVE, EXHAUST(ONE) :LEFT BANK .INCLUDES: Valve clearance adjustment and reface	1.5
	1111U0B	.Replace one head(intake and exhaust all) add	0.1
	1111U0C	.Replace both heads (intake and exhaust all) add	0.4
	1111U2	VALVE, EXHAUST(ONE) :RIGHT BANK	1.5
		.INCLUDES: Valve clearance adjustment and reface	
	1111U2B	.Replace one head(intake and exhaust all) add	0.1
	1111U2C	.Replace both heads (intake and exhaust all) add	0.4
9	1111V9	SPRING, VALVE(ONE) :INTAKE LEFT BANK	1.4
	1111V9A	.Replace one head(intake and exhaust all) add	0.1
	1111V9B	.Replace both heads (intake and exhaust all) add	0.4

2



Ref. No.	L.O.N.	(Relative ref. Number) Description	F.R.T.
+ 9	1111W0	SPRING, VALVE(ONE) :INTAKE RIGHT BANK	1.4
	1111W0A	.Replace one head(intake and exhaust all) add	0.1
	1111W0B	.Replace both heads (intake and exhaust all) add	0.4
	1111W1	SPRING, VALVE(ONE) :EXHAUST LEFT BANK	1.4
	1111W1A	.Replace one head(intake and exhaust all) add	0.1
	1111W1B	.Replace both heads (intake and exhaust all) add	0.4
	1111W2	SPRING, VALVE(ONE) :EXHAUST RIGHT BANK	1.4
	1111W2A	.Replace one head(intake and exhaust all) add	0.1
	1111W2B	.Replace both heads (intake and exhaust all) add	0.4





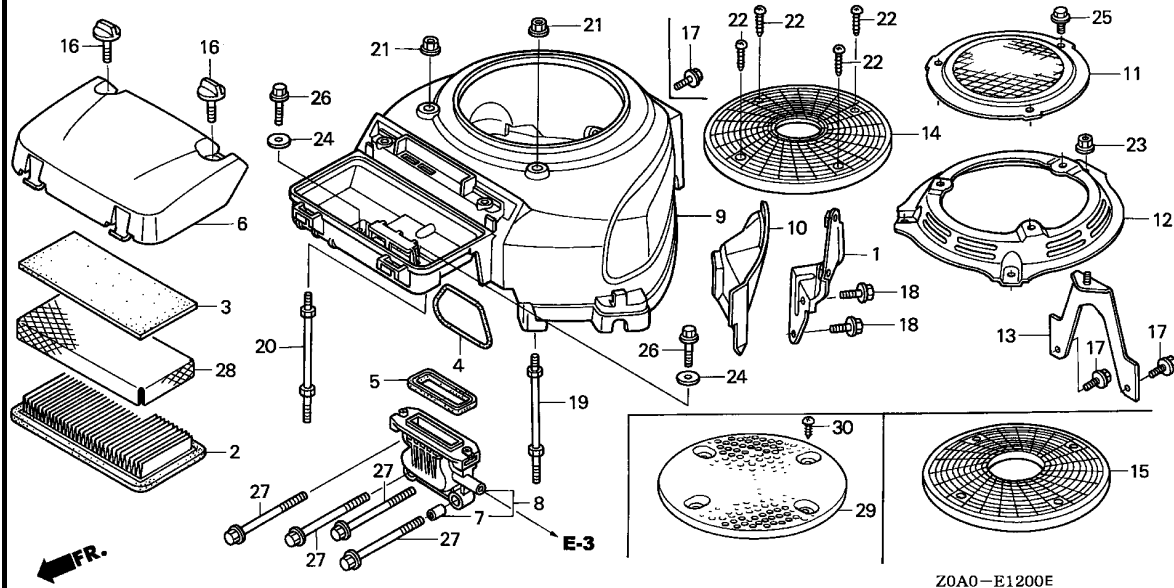
Ref. No.	L.O.N.	(Relative ref. Number) Description	F.R.T.
1	1121B9	STARTER, RECOIL	0.1
3	1121B1	REEL, RECOIL STARTER	0.3
4	1121B0	RATCHET, STARTER AND/OR SPRING, RATCHET	0.2
6	1121B7	SPRING, RECOIL STARTER RETURN	0.3
8	1121B2	RETAINER, SPRING	0.2
9	1121A3	GRIP, RECOIL STARTER	0.1
10	1121B3	ROPE, RECOIL STARTER	0.3

Ref. No.	Part No.	Description	Reqd. QTY				Serial No.	Parts catalogue code
			GCV 520	GCV 530	GXV 520	GXV 530		
1	28400-ZE3-W01ZH	STARTER ASSY., RECOIL *NH105*...MAT BLACK (#15-#20)	1	1	1	1	-----	QRA4,QRA4/A,QRA5,QRA5/A
2	28410-ZE3-W01ZH	CASE COMP., RECOIL STARTER *NH105*...MAT BLACK (#15-#20)	1	1	1	1	-----	QRA4,QRA4/A,QRA5,QRA5/A
3	28421-ZE3-W01	PULLEY, RECOIL STARTER	1	1	1	1	-----	QRA4,QRA4/A,QRA5,QRA5/A
4	28422-ZE2-W01	RATCHET, STARTER	2	2	2	2	-----	QRA4,QRA4/A,QRA5,QRA5/A
5	28441-ZE2-W01	SPRING, FRICTION	1	1	1	1	-----	QRA4,QRA4/A,QRA5,QRA5/A
6	28442-ZE2-W01	SPRING, STARTER RETURN	1	1	1	1	-----	QRA4,QRA4/A,QRA5,QRA5/A
7	28443-ZE2-W01	SPRING, RATCHET	2	2	2	2	-----	QRA4,QRA4/A,QRA5,QRA5/A
8	28444-ZE2-W01	RETAINER, SPRING	1	1	1	1	-----	QRA4,QRA4/A,QRA5,QRA5/A
9	28461-ZE2-W02	GRIP, STARTER	1	1	1	1	-----	QRA4,QRA4/A,QRA5,QRA5/A
10	28462-ZE3-W01	ROPE, RECOIL STARTER	1	1	1	1	-----	QRA4,QRA4/A,QRA5,QRA5/A
11	90004-ZE2-W01	SCREW, CENTER	1	1	1	1	-----	QRA4,QRA4/A,QRA5,QRA5/A
12	95701-06008-07	BOLT, FLANGE, 6X8	3	3	3	3	-----	QRA4,QRA4/A,QRA5,QRA5/A

E-12

FAN COVER

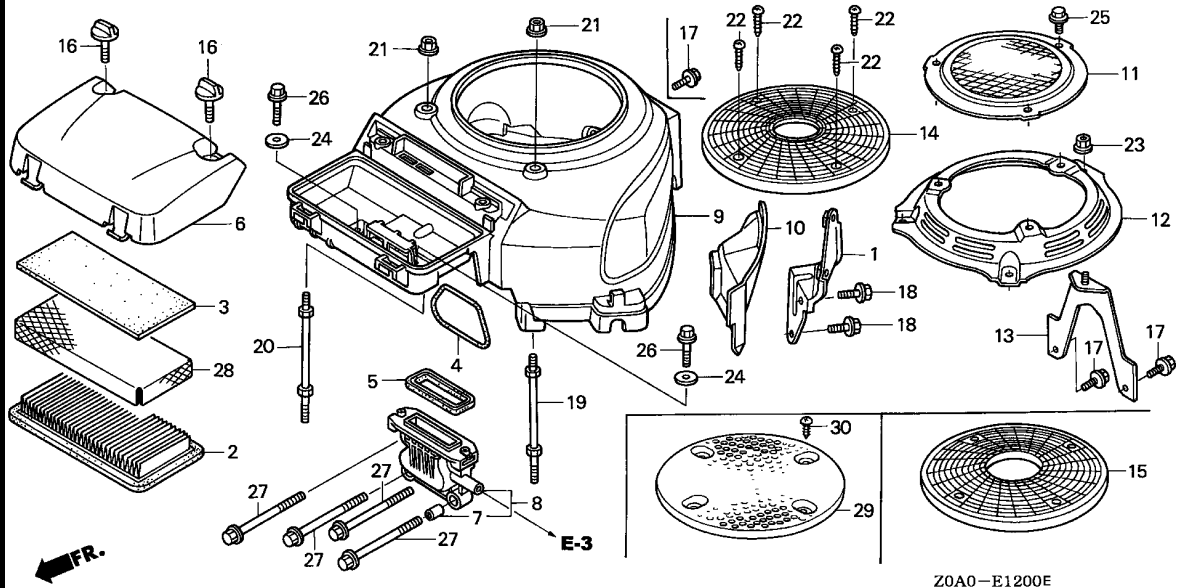
D14



Ref. No.	L.O.N.	(Relative ref. Number) Description	F.R.T.
1	3101J7	STAY, FUEL PUMP	0.1
2	3121B8	ELEMENT, AIR CLEANER	0.1
3	3121C1	FILTER, OUTER	0.1
4	3121D9	PACKING, AIR CLEANER	0.2
5	3121E8	SEAL, AIR CLEANER CASE	0.2
6	3121B1	COVER, AIR CLEANER	0.1
8	3121B4	ELBOW, AIR CLEANER	0.2
9	1141G8	COVER, ENGINE COOLING FAN	0.3
10	1121A7	PLATE, SIDE	0.1
11	4141C9	PROTECTOR, FAN COVER	0.1
14	6201A5	GRID, SCREEN	0.1

Ref. No.	Part No.	Description	Reqd. QTY				Serial No.	Parts catalogue code
			GCV 520	GCV 530	GXV 520	GXV 530		
1	16711-Z0A-000	STAY, FUEL PUMP	1	1	1	1	-----	AEE1, AEE1/A, CEE9, CEE9/A, DXA, DXA1, DXA1/A, DXA2, DXA2/A, EEA1, EEA1/A, EXA1, EXA1/A, EXA2, EXA2/A, JXA3, JXA3/A, PEE9, PEE9/A, PXA1, PXA1/A, QEA3, QEA3/A, QXU3, QXU3/A, QXU4, QXU4/A, SEE1, SEE2, SEE2/A, SEE4, SEE4/A, SXE3, SXE3/A, UXE3, UXE3/A, VXU3, WEE1, WEE1/A
2	17211-Z0A-003	ELEMENT, AIR CLEANER	1	1	-	-	-----	DXA, EXA1, QEA, QEA3, QRA4, QXA4, QXU3, SEE1, VXU3
	17211-Z0A-013	1	1	-	1	-----	1018854 CEE9, QEA1, QEA9, SEE4, WEE1 1022925 AEE1, CEE9, QEA1, SEE2 1010181 DXA1, DXA2, EXA1, PXA1, QEA3, QRA4, QRA5, QXA4, QXA5, QXU3, QXU4, SXE3
	17218-Z0A-810	1	1	-	1	-----	CEE9/A, DXA1/A, DXA2/A, EEA1, EEA1/A, EXA1/A, EXA2, EXA2/A, JXA3, JXA3/A, PXA1/A, QEA1/A, QEA3/A, QRA4/A, QRA5/A, QXA4/A, QXA5/A, QXU3/A, QXU4/A, SXE3/A, UXE3, UXE3/A
	17218-Z0A-000	FILTER, OUTER	1	1	-	-	-----	AEE1/A, DXA1, PEE9, PEE9/A, QEA9/A, SEE2/A, SEE4/A, SXE3, WEE1/A
	17218-Z0A-810	1	1	-	1	-----	1018855 ----- CEE9, QEA1, QEA9, SEE4, WEE1 1022926 ----- AEE1, CEE9, QEA1, SEE2
3	17218-Z0A-000	FILTER, OUTER	1	1	-	-	-----	1010182 ----- DXA1, DXA2, EXA1, PXA1, QEA3, QRA4, QRA5, QXA4, QXA5, QXU3, QXU4, SXE3
	17218-Z0A-810	1	1	-	1	-----	DXA, EXA1, QEA, QEA3, QRA4, QXA4, QXU3, SEE1, VXU3
	17228-Z0A-003	PACKING, AIR CLEANER	1	1	1	1	-----	1018854 CEE9, QEA1, QEA9, SEE4, WEE1 1022925 AEE1, CEE9, QEA1, SEE2 1010181 DXA1, DXA2, EXA1, PXA1, QEA3, QRA4, QRA5, QXA4, QXA5, QXU3, QXU4, SXE3
	17228-Z0A-003	PACKING, AIR CLEANER	1	1	1	1	-----	CEE9/A, DXA1/A, DXA2/A, EEA1, EEA1/A, EXA1/A, EXA2, EXA2/A, JXA3, JXA3/A, PXA1/A, QEA1/A, QEA3/A, QRA4/A, QRA5/A, QXA4/A, QXA5/A, QXU3/A, QXU4/A, SXE3/A, UXE3, UXE3/A
	17228-Z0A-003	PACKING, AIR CLEANER	1	1	1	1	-----	AEE1/A, DXA1, PEE9, PEE9/A, QEA9/A, SEE2/A, SEE4/A, SXE3, WEE1/A
	17228-Z0A-003	PACKING, AIR CLEANER	1	1	1	1	-----	1018855 ----- CEE9, QEA1, QEA9, SEE4, WEE1 1022926 ----- AEE1, CEE9, QEA1, SEE2
	17228-Z0A-003	PACKING, AIR CLEANER	1	1	1	1	-----	1010182 ----- DXA1, DXA2, EXA1, PXA1, QEA3, QRA4, QRA5, QXA4, QXA5, QXU3, QXU4, SXE3



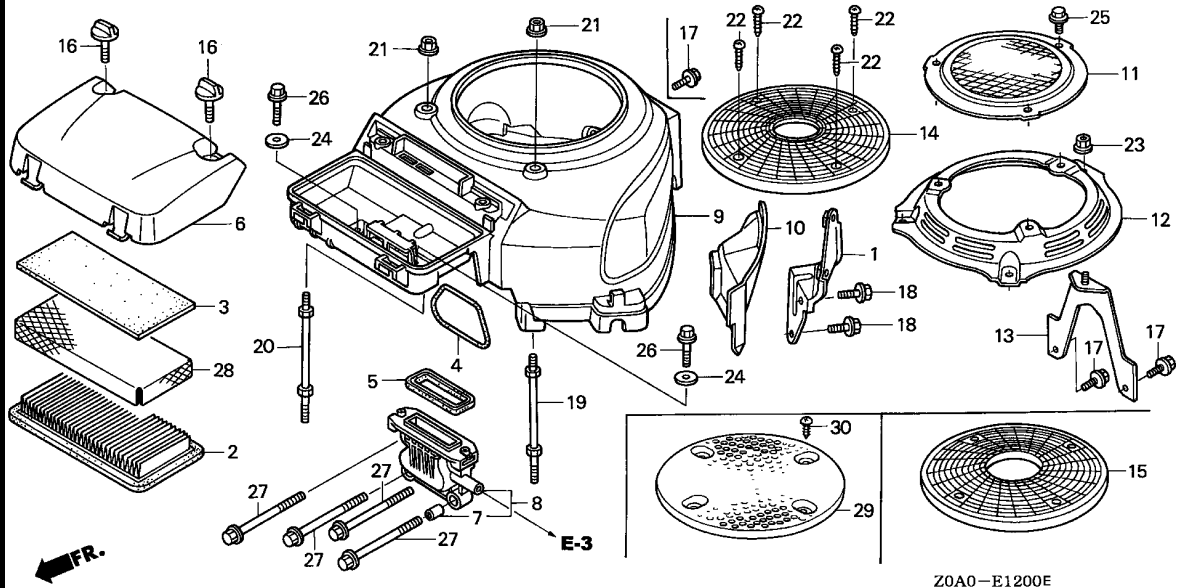


Z0A0-E1200E

Ref. No.	Part No.	Description	Reqd. QTY				Serial No.	Parts catalogue code
			GCV 520	GCV 530	GXV 520	GXV 530		
5	17229-Z0A-000	SEAL, AIR CLEANER CASE	1	1	1	1		
6	17231-Z0A-000	COVER, AIR CLEANER	1	1	1	1		
7	17238-ZJ4-830	COLLAR A, AIR CLEANER	4	4	4	4		
8	17410-Z0A-000	ELBOW COMP., AIR CLEANER	1	1	-	-		DXA, EXA1, QEA, QEA3, QRA4, QXA4, QXU3, SEE1, VXU3
	17410-Z0A-010	1	1	-	-		AAE1, AEE1/A, CEE9, CEE9/A, DXA1, PEE9, PEE9/A, QEA1, QEA1/A, QEA9, QEA9/A, SEE2, SEE2/A, SEE4, SEE4/A, SXE3, WEE1, WEE1/A
9	19611-Z0A-010ZA	COVER, FAN	-	-	1	1		
	NH1.....	BLACK	1	1	1	1		AAE1, AEE1/A, CEE9, CEE9/A, DXA, DXA1, DXA1/A, DXA2, DXA2/A, EEA1, EEA1/A, EXA1, EXA1/A, EXA2, EXA2/A, PEE9, PEE9/A, PXA1, PXA1/A, QEA, QEA1, QEA1/A, QEA3, QEA3/A, SEE1, SEE2, SEE2/A, SEE4, SEE4/A, SXE3, SXE3/A, UXE3, UXE3/A, VXU3, WEE1, WEE1/A
	19611-Z0A-010ZB	*R8*.....	-	1	-	-		QXU3, VXU3
	19611-Z0A-801ZA	*NH1*.....	1	1	1	1		1004097 QXU3, QXU4
	19611-Z0A-010ZC	*R280*.....	-	-	-	1		QEA9, QEA9/A, QRA4, QRA4/A, QRA5, QRA5/A, QXA4, QXA4/A, QXA5, QXA5/A
10	19612-Z0A-000	PLATE, SIDE	1	1	1	1		EEA1, EEA1/A, JXA3, JXA3/A, PXA1, PXA1/A, QXU3/A, QXU4/A
11	19620-ZE3-810ZA	PROTECTOR COMP., FAN COVER	1	-	-	-		1004832 CEE9
	NH105....	MAT BLACK (#15-#20)	-	1	-	-		1003278 QXA4
			-	1	-	-		1005170 CEE9

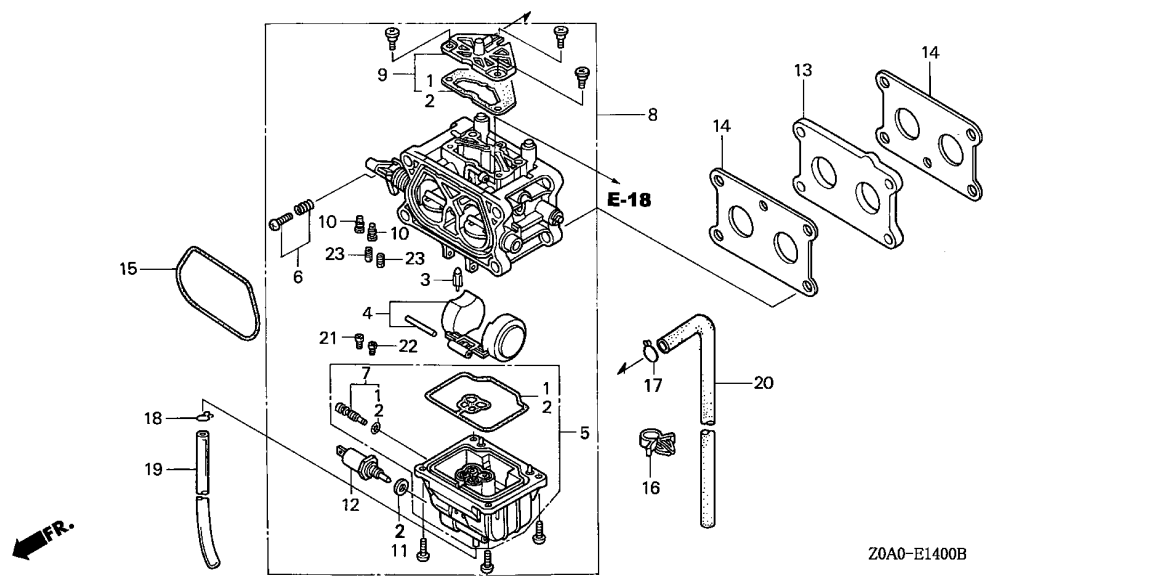
Ref. No.	Part No.	Description	Reqd. QTY				Serial No.	Parts catalogue code
			GCV 520	GCV 530	GXV 520	GXV 530		
11)	19620-ZE3-L60ZC	PROTECTOR COMP., FAN COVER *NH105*...MAT BLACK (#15-#20)	1	1	1	1	----- CEE9/A,PEE9,PEE9/A,QXA4/A,QXA5,QXA5/A ----- QXA4 ----- CEE9 ----- QXA4 ----- CEE9	
12	28405-ZOA-000ZA	SPACER, RECOIL STARTER MOUNTING *NH105*...MAT BLACK (#15-#20)	1	1	1	1	----- CEE9,CEE9/A,PEE9,PEE9/A,QRA4,QRA4/A,QRA5,QRA5/A,QXA4,QXA4/A ----- QXA5,QXA5/A	
	28405-ZOA-000ZB	*R8*.....BRIGHT RED	1	-	-	-	----- 1015949 CEE9 ----- 1016678 CEE9	
	28405-ZOA-000ZC	*R280*.....POWER RED	1	1	-	-	----- CEE9/A ----- CEE9 ----- CEE9 ----- 1016679 CEE9	
13	28406-ZOA-000	BRACKET, RECOIL MOUNT	1	1	1	1	----- CEE9,CEE9/A,PEE9,PEE9/A,QRA4,QRA4/A,QRA5,QRA5/A,QXA4,QXA4/A ----- QXA5,QXA5/A	
14	28452-ZOA-000ZA	GRID, SCREEN *NH1*.....BLACK	1	1	1	1	----- AEE1,AEE1/A,CEE9,CEE9/A,DXA,DXA1,DXA1/A,DXA2,DXA2/A,EEA1 ----- EEA1/A,EXA1,EXA1/A,EXA2,EXA2/A,PEE9,PEE9/A,PXA1,PXA1/A,QEA ----- QEA1,QEA1/A,QEA3,QEA3/A,QEA9,QEA9/A,QXA4,QXA4/A,QXA5,QXA5/A ----- SEE1,SEE4,SEE4/A,SXE3,SXE3/A,VXU3	
	28452-ZOA-000ZB	*R8*.....BRIGHT RED	1	-	-	-	----- 1026393 WEE1 ----- 1024084 SEE2	
	28452-ZOA-000ZC	*R280*.....POWER RED	-	-	-	1	----- QXU3,VXU3 ----- 1004097 QXU3,QXU4 ----- EEA1,EEA1/A,JXA3,JXA3/A,PXA1,PXA1/A,QXU3/A,QXU4/A ----- 1004098 QXU3,QXU4	
15	28452-ZOA-800ZA	GRID, SCREEN *NH1*.....BLACK	1	1	1	1	----- QRA4,QRA4/A,QRA5,QRA5/A	
16	90004-ZOA-000	BOLT, AIR CLEANER, 6MM	2	2	2	2		
17	90013-ZL8-000	BOLT, FLANGE, 6X14(CT200) ...	2	2	2	-	----- AEE1,AEE1/A,CEE9,CEE9/A,PEE9,PEE9/A,QEA1,QEA1/A,QEA9,QEA9/A ----- QRA4,QRA5,QXA4,QXA5,SEE2,SEE2/A,SEE4,SEE4/A,WEE1,WEE1/A	
18	90014-952-000	BOLT, FLANGE, 6X14(CT200) ...	1	1	1	1	----- QEA,QEA1,QEA1/A,QEA9,QEA9/A,QRA4,QRA4/A,QRA5,QRA5/A,QXA4 ----- QXA4/A,QXA5,QXA5/A	
			2	2	2	2	----- AEE1,AEE1/A,CEE9,CEE9/A,DXA,DXA1,DXA1/A,DXA2,DXA2/A,EEA1 ----- EEA1/A,EXA1,EXA1/A,EXA2,EXA2/A,JXA3,JXA3/A,PEE9,PEE9/A,PXA1 ----- PXA1/A,QEA3,QEA3/A,QXU3,QXU3/A,QXU4,QXU4/A,SEE1,SEE2,SEE2/A ----- SEE4,SEE4/A,SXE3,SXE3/A,UXE3,UXE3/A,VXU3,WEE1,WEE1/A	
19	90044-ZOA-000	BOLT, L. STUD (IGNITION COIL)	1	1	1	1		
20	90045-ZOA-000	BOLT, R. STUD (IGNITION COIL)	1	1	1	1		
21	90201-ZM0-000	NUT, FLANGE, 6MM	2	2	2	2	----- AEE1,AEE1/A,DXA,DXA1,DXA1/A,DXA2,DXA2/A,EEA1,EEA1/A,EXA1 ----- EXA1/A,EXA2,EXA2/A,JXA3,JXA3/A,PXA1,PXA1/A,QEA,QEA1,QEA1/A ----- QEA3,QEA3/A,QEA9,QEA9/A,QXU3,QXU3/A,QXU4,QXU4/A,SEE1,SEE2 ----- SEE2/A,SEE4,SEE4/A,SXE3,SXE3/A,UXE3,UXE3/A,VXU3,WEE1,WEE1/A	
22	93913-24780	SCREW, TAPPING, 4X30(PO)	4	4	-	4	----- AEE1,AEE1/A,CEE9,CEE9/A,DXA,DXA1,DXA1/A,DXA2,DXA2/A,EEA1 ----- EEA1/A,EXA1,EXA1/A,EXA2,EXA2/A,JXA3,JXA3/A,PEE9,PEE9/A,PXA1 ----- PXA1/A,QEA,QEA1,QEA1/A,QEA3,QEA3/A,QEA9,QEA9/A,QRA4,QRA4/A ----- QRA5,QRA5/A,QXA4,QXA4/A,QXA5,QXA5/A,QXU3,QXU3/A,QXU4,QXU4/A ----- SEE1,SEE4,SEE4/A,SXE3,SXE3/A,VXU3	
			4	-	-	-	----- 1026393 WEE1	
			-	4	-	-	----- 1024084 SEE2	
			-	-	4	-		
	93913-24410	SCREW, TAPPING, 4X16(PO)	-	4	-	-	----- 1024084 SEE2	





Z0A0-E1200E

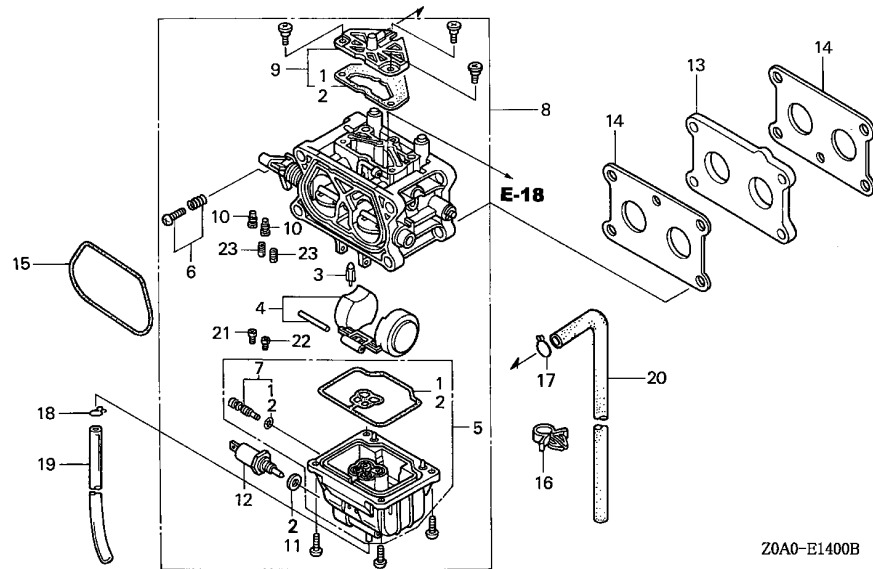
Ref. No.	Part No.	Description	Reqd. QTY				Serial No.	Parts catalogue code	
			GCV 520	GCV 530	GXV 520	GXV 530			
23	94050-06070	NUT, FLANGE, 6MM	3	3	3	3	-----	CEE9,CEE9/A,PEE9,PEE9/A,QRA4,QRA4/A,QRA5,QRA5/A,QXA4,QXA4/A,QXA5,QXA5/A	
24	94103-06800	WASHER, PLAIN, 6MM	2	2	2	2	-----	CEE9,CEE9/A,PEE9,PEE9/A,QXA4,QXA4/A,QXA5,QXA5/A	
25	95701-06008-07	BOLT, FLANGE, 6X8	3	3	3	3	-----	CEE9,CEE9/A,PEE9,PEE9/A,QXA4,QXA4/A,QXA5,QXA5/A	
26	95701-06012-00	BOLT, FLANGE, 6X12	2	2	2	2	-----		
27	95801-06100-00	BOLT, FLANGE, 6X100	4	4	4	4	-----		
28	17212-Z0A-000	GRID, AIR CLEANER	1	1	-	1	-----	CEE9/A,DXA1/A,DXA2/A,EEA1,EEA1/A,EXA1/A,EXA2,EXA2/A,JXA3,JXA3/A,PXA1/A,QA1/A,QA3/A,QRA4/A,QRA5/A,QXA4/A,QXA5/A,QXU3/A,QXU4/A,SXE3/A,UXE3,UXE3/A	
			1	1	-	-	-----	CEE9/A,DXA1/A,DXA2/A,EEA1,EEA1/A,EXA1/A,EXA2,EXA2/A,JXA3,JXA3/A,PXA1/A,QA1/A,QA3/A,QRA4/A,QRA5/A,QXA4/A,QXA5/A,QXU3/A,QXU4/A,SXE3/A,UXE3,UXE3/A	
			1	-	-	-	1018855	-----	CEE9,QA1,QA9,SEE4,WEE1
			-	1	-	-	1022926	-----	CEE9,QA1,QA9,SEE4,WEE1
			-	-	1	-	-	-----	CEE9,QA1,QA9,SEE4,WEE1
			-	-	-	1	1010182	-----	DXA1,DXA2,EXA1,PXA1,QA3,QRA4,QRA5,QXA4,QXA5,QXU3,QXU4,SXE3
29	28452-Z0A-810	GRID, SCREEN (STIGA)	1	1	-	1	-----	SEE2/A,UXE3,UXE3/A,WEE1/A	
			1	-	-	-	1026394	-----	WEE1
			-	1	-	-	1024085	-----	WEE1
			-	1	-	-	1024085	-----	SEE2
			4	4	-	4	-----	SEE2/A,UXE3,UXE3/A,WEE1/A	
30	93913-24410	SCREW, TAPPING, 4X16(PO)	4	-	-	-	-----	SEE2/A,UXE3,UXE3/A,WEE1/A	
			4	-	-	-	1026394	-----	WEE1
			-	4	-	-	1024085	-----	SEE2



Ref. No.	L.O.N.	(Relative ref. Number) Description	F.R.T.
1	(2)		
3111B1		GASKET SET, CARBURETOR	0.6
3	(4)		
3111E1		VALVE SET, FLOAT AND/OR FLOAT SET	0.6
5			
3111A3		CHAMBER SET, FLOAT AND/OR GASKET, FLOAT CHAMBER	0.6
6			
3111D7		SCREW SET, PILOT	0.2
8			
3111F3		CARBURETOR	0.5
9			
3111J9		COVER SET, AIR VENT	0.3
12			
6211C0		VALVE, CARBURETOR SOLENOID (14)	0.1
13			
3111C0		INSULATOR, CARBURETOR AND/OR PACKING, INSULATOR	0.4
15			
3121H2		PACKING, AIR CLEANER(A)	0.4
19			
3111H8		TUBE, FLOAT CHAMBER	0.1
20			
3101F6		TUBE, FUEL	0.3
21			
(22)			
3111C3		JET, MAIN	0.6

Ref. No.	Part No.	Description	Reqd. QTY				Serial No.	Parts catalogue code
			GCV 520	GCV 530	GXV 520	GXV 530		
1	16010-Z0A-004	GASKET SET	1	1	-	-	----- QEA	
2	16010-Z0A-802	GASKET SET	1	1	-	-	----- AEE1, AEE1/A, CEE9, CEE9/A, DXA, DXA1, EXA1, PEE9, PEE9/A, QEA1, QEA1/A, QEA3, QEA9, QEA9/A, QRA4, QXA4, QXU3, SEE1, SEE2, SEE2/A, SEE4, SEE4/A, SXE3, VXU3, WEE1, WEE1/A	
3	16011-Z0A-004	VALVE, FLOAT	1	1	1	1		
4	16013-Z0A-004	FLOAT SET	1	1	1	1		
5	16015-Z0A-004	CHAMBER SET, FLOAT	1	1	-	-	----- QEA	
	16015-Z0A-802	1	1	-	-	----- AEE1, AEE1/A, CEE9, CEE9/A, DXA, DXA1, EXA1, PEE9, PEE9/A, QEA1, QEA1/A, QEA3, QEA9, QEA9/A, QRA4, QXA4, QXU3, SEE1, SEE2, SEE2/A, SEE4, SEE4/A, SXE3, VXU3, WEE1, WEE1/A	
6	16016-Z0A-004	SCREW SET	1	1	1	1		
7	16024-Z0A-004	SCREW SET, DRAIN	1	1	1	1		
8	16100-Z0A-014	CARBURETOR ASSY. (BW01A B) ..	-	1	-	-	----- QEA	
	16100-Z0A-803	CARBURETOR ASSY. (BW02A B) ..	-	1	-	-	----- QRA4, QXA4	
			-	1	-	-	----- 1024972 QEA1	
			-	-	-	1	----- 1014986 QRA4, QRA5, QXA4, QXA5	
	16100-Z0A-813	CARBURETOR ASSY. (BW02B B) ..	-	1	-	-	----- DXA, EXA1, QEA3, QXU3, VXU3	
			-	1	-	-	----- 1024972 AEE1, CEE9, SEE2	
			-	-	-	1	----- 1014986 DXA1, DXA2, EXA1, EXA2, PXA1, QEA3, QXU3, QXU4, SXE3	
	16100-Z0N-014	CARBURETOR ASSY. (BW03A B) ..	1	-	-	-	----- QEA	
	16100-Z0N-803	CARBURETOR ASSY. (BW04A B) ..	1	-	-	-	----- QRA4, QXA4	
	16100-Z0N-813	CARBURETOR ASSY. (BW04B B) ..	1	-	-	-	----- QEA3, SEE1	
	16100-Z0A-804	CARBURETOR ASSY. (BW02A C) ..	-	1	-	-	----- 1024973 QEA1	
			-	-	-	1	----- 1014987 1027210 QRA4, QRA5, QXA4, QXA5	





Z0A0-E1400B

Ref. No.	Part No.	Description	Reqd. QTY				Serial No.	Parts catalogue code
			GCV 520	GCV 530	GXV 520	GXV 530		
(8)	16100-Z0A-814	CARBURETOR ASSY. (BW02B C) ..	-	1	-	-	----- DXA1,SXE3 1037927 PEE9	
			-	1	-	-	1024973 1037927 AEE1,CEE9,SEE2	
			-	-	-	1	1027210 UXE3	
			-	-	-	1	1027210 DXA1,DXA2,EXA1,EXA2,PXA1,QEA3,QXU3,QXU4,SXE3	
	16100-Z0N-804	CARBURETOR ASSY. (BW04A C) ..	1	-	-	-	1014987 1026905 QEA1,QEA9	
			-	-	1	-	QRA4,QRA5,QXA4,QXA5	
	16100-Z0N-814	CARBURETOR ASSY. (BW04B C) ..	1	-	-	-	1026905 CEE9,SEE4,WEE1	
			-	-	1	-	QEA3	
	16100-Z0A-805	CARBURETOR ASSY. (BW02A C) ..	-	1	-	1	----- QEA1/A,QRA4/A,QRA5/A,QXA4/A,QXA5/A	
			-	-	-	1	1027211 ----- QRA4,QRA5,QXA4,QXA5	
	16100-Z0A-815	CARBURETOR ASSY. (BW02B C) ..	-	1	-	1	----- AEE1/A,CEE9/A,DXA1/A,DXA2/A,EXA1/A,JXA3,JXA3/A,PEE9/A,PXA1/A	
			-	-	-	1	----- QEA3/A,QXU3/A,QXU4/A,SEE2/A,SXE3/A,UXE3/A	
			-	1	-	-	1037928 ----- AEE1,CEE9,PEE9,SEE2	
			-	-	-	1	1027211 ----- DXA1,DXA2,EXA1,PXA1,QEA3,QXU3,QXU4,SXE3,UXE3	
			-	-	-	1	1027211 1061017 EXA2	
	16100-Z0N-805	CARBURETOR ASSY. (BW04A C) ..	1	-	-	-	----- QEA1/A,QEA9/A	
			1	-	-	-	1026906 ----- QEA1,QEA9	
	16100-Z0N-815	CARBURETOR ASSY. (BW04B C) ..	1	-	-	-	----- CEE9/A,SEE4/A,WEE1/A	
			1	-	-	-	1026906 ----- CEE9,SEE4,WEE1	
	16100-Z0P-V02	CARBURETOR ASSY. (BW02C A) ..	-	-	-	1	----- EEA1,EEA1/A,EXA2/A	
			-	-	-	1	1061018 ----- EXA2	
9	16139-Z0A-004	COVER SET, AIR VENT	1	1	1	1		
10	16168-Z0A-004	CAP	2	2	2	2		
11	16178-Z0A-802	GASKET	1	1	-	-	----- AEE1,AEE1/A,CEE9,CEE9/A,DXA,DXA1,EXA1,PEE9,PEE9/A,QEA1,QEA1/A	
			-	-	1	1	----- QEA3,QEA9,QEA9/A,QRA4,QXA4,QXU3,SEE1,SEE2,SEE2/A,SEE4,SEE4/A	
			-	-	1	1	----- SXE3,VXU3,WEE1,WEE1/A	

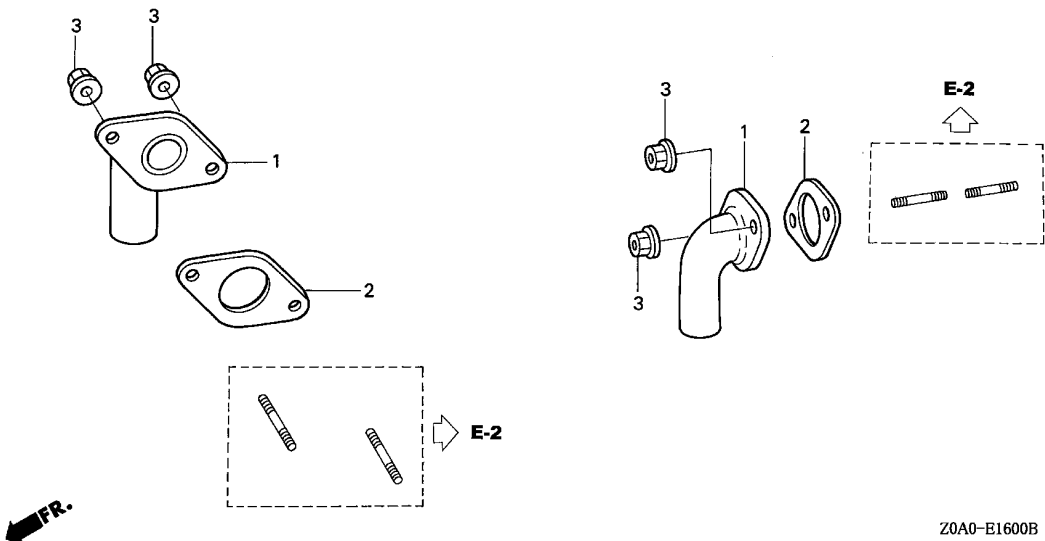
Ref. No.	Part No.	Description	Reqd. QTY				Serial No.	Parts catalogue code
			GCV 520	GCV 530	GXV 520	GXV 530		
12	16200-Z0A-802	VALVE ASSY., SOLENOID	1	1	-	-	-----	AEE1,AEE1/A,CEE9,CEE9/A,DXA,DXA1,EXA1,PEE9,PEE9/A,QEA1,QEA1/A,QEA3,QEA3/A,QEA9/A,QRA4,QRA4/A,QXA4,QXU3,SEE1,SEE2,SEE2/A,SEE4,SEE4/A,SXE3,VXU3,WEE1,WEE1/A
			-	-	1	1		
13	16211-Z0A-000	INSULATOR, CARBURETOR	1	1	1	1		
14	16212-Z0A-000	PACKING, INSULATOR	2	2	2	2		
15	17228-Z0A-003	PACKING, AIR CLEANER	1	1	1	1		
16	90659-680-013	CLIP, WIRE HARNESS	1	1	1	-	-----	DXA1,DXA1/A,DXA2,DXA2/A,EXA1,EXA1/A,EXA2,EXA2/A,JXA3,JXA3/A,QEA3,QEA3/A,QRA4,QRA4/A,QRA5,QRA5/A,QXA4,QXA4/A,QXA5,QXA5/A,QXU3,QXU3/A,QXU4,QXU4/A,SXE3,SXE3/A,UXE3,UXE3/A
			-	-	-	1	-----	1017807 PXA1
17	95002-02080	CLIP, TUBE (B8)	1	1	1	1		
18	95002-02650	CLIP, TUBE (B6.5)	1	1	1	1		
19	95003-07030-31	TUBE, VINYL, 4X7X300 (95003-07001-60M)	1	1	1	1		
20	95005-45400-20	TUBE, 4.5X400(95005-45001-20M)	1	1	1	1		
21	99131-Z0A-0710	JET, MAIN, #71.3	(1)	-	(1)	-		
	99131-Z0A-0730	JET, MAIN, #73.8	(1)	-	(1)	-		
	99131-Z0A-0760	JET, MAIN, #76.3	1	-	1	-		
	99131-Z0A-0820	JET, MAIN, #82.5	-	(1)	-	(1)		
	99131-Z0A-0850	JET, MAIN, #85	-	(1)	-	(1)		
	99131-Z0A-0870	JET, MAIN, #87.5	-	1	-	1		
22	99131-Z0A-0730	JET, MAIN, #73.8	(1)	-	(1)	-		
	99131-Z0A-0760	JET, MAIN, #76.3	(1)	-	(1)	-		
	99131-Z0A-0780	JET, MAIN, #78.8	1	-	1	-		
	99131-Z0A-0850	JET, MAIN, #85	-	(1)	-	(1)		
	99131-Z0A-0870	JET, MAIN, #87.5	-	(1)	-	(1)		
	99131-Z0A-0900	JET, MAIN, #90	-	1	-	1		
23	99133-Z0A-0350	JET, PILOT, #35	2	-	-	-	-----	QEA,QEA3,QRA4,QXA4,SEE1
	99133-Z0A-0370	JET, PILOT, #37.5	-	2	-	2	-----	BW02A B QEA1,QRA5,QXA5
	“(CARBURETOR NO.)	“	-	2	-	2	-----	BW02B B AEE1,CEE9,DXA2,EXA2,PXA1,QXU4,SEE2
	“(CARBURETOR NO.)	“	-	2	-	2	-----	DXA,EEA1,EXA1,QEA,QEA3,QRA4,QXA4,QXU3,VXU3
	“(CARBURETOR NO.)	“	-	-	-	2	-----	BW02A B QRA4,QXA4
	“(CARBURETOR NO.)	“	-	-	-	2	-----	BW02B B DXA1,EXA1,QEA3,QXU3,SXE3
	99134-Z0A-0350	JET, PILOT, #35	2	-	-	-	-----	CEE9,CEE9/A,QEA1,QEA1/A,QEA9,QEA9/A,SEE4,SEE4/A,WEE1,WEE1/A
	99134-Z0A-0370	JET, PILOT, #37.5	-	2	-	2	-----	AEE1/A,CEE9/A,DXA1/A,DXA2/A,EXA1/A,JXA3,JXA3/A,PEE9,PEE9/A,PXA1/A,QEA1/A,QEA3/A,QRA4/A,QRA5/A,QXA4/A,QXA5/A,QXU3/A,QXU4/A,SEE2/A,SXE3/A,UXE3,UXE3/A
	“(CARBURETOR NO.)	“	-	2	-	2	BW02A C	----- QEA1,QRA5,QXA5
	“(CARBURETOR NO.)	“	-	2	-	2	BW02B C	----- AEE1,CEE9,DXA2,PXA1,QXU4,SEE2
	“(CARBURETOR NO.)	“	-	2	-	2	-----	DXA1,SXE3
	“(CARBURETOR NO.)	“	-	-	-	2	BW02A C	----- QRA4,QXA4
	“(CARBURETOR NO.)	“	-	-	-	2	BW02B C	----- DXA1,EXA1,QEA3,QXU3,SXE3
	“(CARBURETOR NO.)	“	-	-	-	2	BW02B C	----- EXA2
	99133-Z0A-0370	“(CARBURETOR NO.)	-	-	-	2	-----	EEA1,EEA1/A,EXA2/A
	“(CARBURETOR NO.)	“	-	-	-	2	BW02C A	----- EXA2



E-16

EXHAUST PIPE

E 5



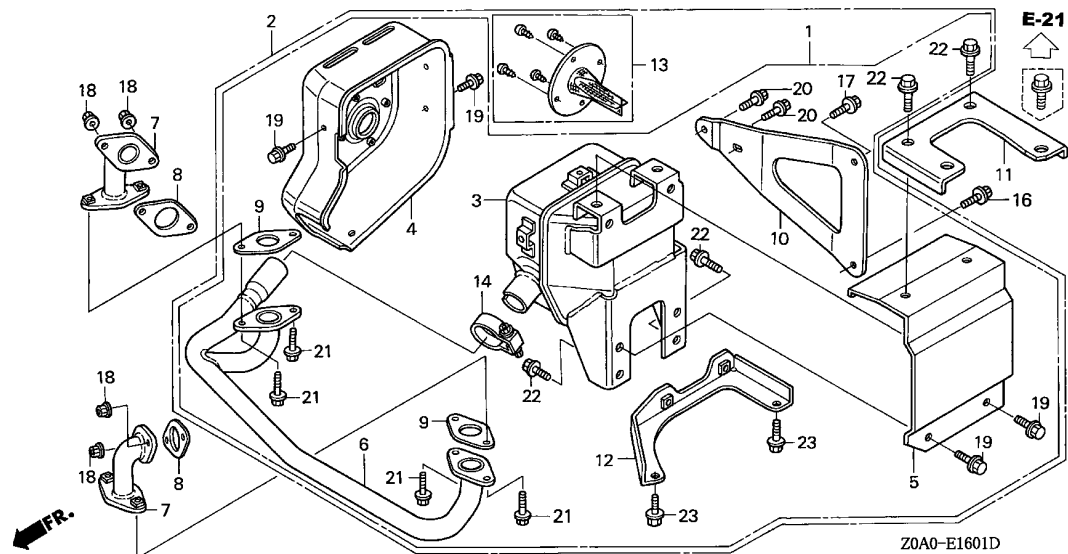
Ref. No.	L.O.N.	(Relative ref. Number) Description	F.R.T.
1	3131C7	PIPE, EXHAUST :LEFT	0.2
	3131C8	PIPE, EXHAUST :RIGHT	0.2
2	3131J1	GASKET, EXHAUST PIPE :LEFT ...	0.2
	3131J2	GASKET, EXHAUST PIPE :RIGHT ..	0.2

2

Ref. No.	Part No.	Description	Reqd. QTY				Serial No.	Parts catalogue code
			GCV 520	GCV 530	GXV 520	GXV 530		
1	18331-Z0A-000	PIPE, EX.	2	2	2	2	----- JXA3, JXA3/A, QEA3, QEA3/A, QXU3, QXU3/A, QXU4, QXU4/A, VXU3	
			2	-	-	-	----- 1026393 WEE1	
			-	2	-	-	----- 1001739 SXE3	
2	18333-Z0A-000	GASKET, EX. PIPE	2	2	2	2	----- AEE1, AEE1/A, CEE9, CEE9/A, DXA, DXA1, DXA1/A, DXA2, DXA2/A, EEA1	
							EEA1/A, EXA1, EXA1/A, EXA2, EXA2/A, JXA3, JXA3/A, PEE9, PEE9/A, PXA1	
							PXA1/A, QEA, QEA1, QEA1/A, QEA3, QEA3/A, QXU3, QXU3/A, QXU4, QXU4/A	
							SEE1, SEE2, SEE2/A, SEE4, SEE4/A, SXE3, SXE3/A, UXE3, UXE3/A, VXU3, WEE1	
							WEE1/A	
3	94050-06000	NUT, FLANGE, 6MM	4	4	4	4	----- AEE1, AEE1/A, CEE9, CEE9/A, EXA1, EXA1/A, EXA2, EXA2/A, JXA3, JXA3/A	
							PEE9, PEE9/A, QEA, QEA1, QEA1/A, QEA3, QEA3/A, QXU3, QXU3/A, QXU4	
							QXU4/A, SEE1, SEE2, SEE2/A, SEE4, SEE4/A, SXE3, SXE3/A, UXE3, UXE3/A	
							VXU3, WEE1, WEE1/A	

E-16-1

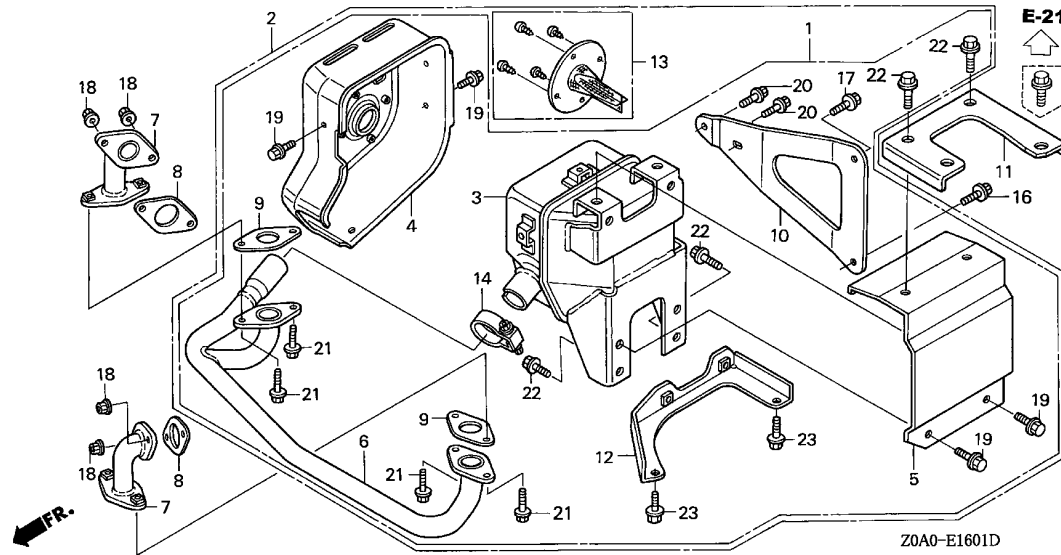
MUFFLER



Ref. No.	L.O.N.	(Relative ref. Number) Description	F.R.T.
2		(1)	
2	3131C4	MUFFLER KIT	0.2
3	3131C5	MUFFLER, EXHAUST	0.3
6	3131C9	PIPE, EXHAUST	0.3
7	3131C7	PIPE, EXHAUST :LEFT	0.2
	3131C8	PIPE, EXHAUST :RIGHT	0.2
8	3131J9	GASKET, EXHAUST PIPE(A) :LEFT	0.3
	3131K0	GASKET, EXHAUST PIPE(A) :RIGHT	0.3
13	3131A1	ARRESTER, SPARK	0.2

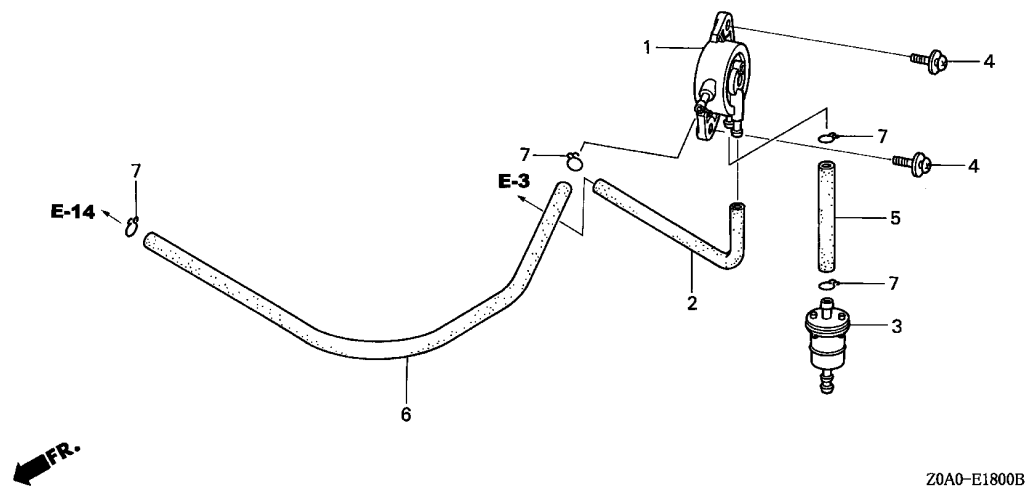
Ref. No.	Part No.	Description	Reqd. QTY				Serial No.	Parts catalogue code
			GCV 520	GCV 530	GXV 520	GXV 530		
1	06183-Z0A-800	MUFFLER KIT (A)	(1)	(1)	(1)	(1)	----- QRA4, QRA4/A, QRA5, QRA5/A, QXA4, QXA4/A, QXA5, QXA5/A	
2	06183-Z0A-810	MUFFLER KIT (B)	(1)	(1)	(1)	(1)	----- QRA4, QRA4/A, QRA5, QRA5/A, QXA4, QXA4/A, QXA5, QXA5/A	
3	18310-Z0A-801	MUFFLER COMP.	1	-	(1)	(1)	----- QEA9, QEA9/A, QRA4/A, QRA5, QRA5/A, QXA4/A, QXA5, QXA5/A	
4	18321-ZJ1-841	PROTECTOR, MUFFLER (SIDE-L) ..	(1)	(1)	(1)	(1)	----- QRA4, QXA4	
			1	-	(1)	(1)	----- QEA9, QEA9/A, QRA4/A, QRA5, QRA5/A, QXA4/A, QXA5, QXA5/A	
5	18325-Z0A-800	PROTECTOR, RR. MUFFLER	(1)	(1)	(1)	(1)	----- QRA4, QXA4	
			1	-	(1)	(1)	----- QEA9, QEA9/A, QRA4/A, QRA5, QRA5/A, QXA4/A, QXA5, QXA5/A	
			(1)	(1)	(1)	(1)	----- QRA4, QXA4	
6	18330-Z0A-801	PIPE COMP., EX.	1	-	(1)	(1)	----- QEA9, QEA9/A, QRA4/A, QRA5, QRA5/A, QXA4/A, QXA5, QXA5/A	
			(1)	(1)	(1)	(1)	----- QRA4, QXA4	
7	18331-Z0A-800	PIPE, EX. (FLANGE)	2	2	2	2	----- QEA9, QEA9/A, QRA4, QRA4/A, QRA5, QRA5/A, QXA4, QXA4/A, QXA5, QXA5/A	
8	18333-Z0A-000	GASKET, EX. PIPE	2	2	2	2	----- QEA9, QEA9/A, QRA4, QRA4/A, QRA5, QRA5/A, QXA4, QXA4/A, QXA5, QXA5/A	
9	18333-Z0A-000	GASKET, EX. PIPE	2	-	(2)	(2)	----- QEA9/A, QRA4/A, QRA5, QRA5/A, QXA4/A, QXA5, QXA5/A	
			2	-	-	-	----- EEA1, PEE9, QEA9, UXE3	
			(2)	(2)	(2)	(2)	----- QRA4, QXA4	
10	18337-Z0A-800	BRACKET, MUFFLER	1	-	(1)	(1)	----- QEA9, QEA9/A, QRA4/A, QRA5, QRA5/A, QXA4/A, QXA5, QXA5/A	
			(1)	(1)	(1)	(1)	----- QRA4, QXA4	
11	18338-Z0A-800	BRACKET, UPPER MUFFLER	1	1	1	1	----- QEA9, QEA9/A, QRA4, QRA4/A, QRA5, QRA5/A, QXA4, QXA4/A, QXA5, QXA5/A	
12	18339-Z0A-800	BRACKET, LOWER MUFFLER	1	-	-	-	----- QEA9, QEA9/A	
	18339-Z0A-801	(1)	(1)	(1)	(1)	----- QRA4, QRA4/A, QRA5, QRA5/A, QXA4, QXA4/A, QXA5, QXA5/A	
13	18355-ZJ1-801	ARRESTER, SPARK	1	-	(1)	(1)	----- QEA9, QEA9/A, QRA4/A, QRA5, QRA5/A, QXA4/A, QXA5, QXA5/A	
			(1)	(1)	(1)	(1)	----- QRA4, QXA4	
14	18396-ZJ1-003	BAND ASSY.	1	-	(1)	(1)	----- QEA9, QEA9/A, QRA4/A, QRA5, QRA5/A, QXA4/A, QXA5, QXA5/A	
			(1)	(1)	(1)	(1)	----- QRA4, QXA4	
16	90014-952-000	BOLT, FLANGE, 6X14(CT200) ...	1	1	1	1	----- QEA9, QEA9/A, QRA4, QRA4/A, QRA5, QRA5/A, QXA4, QXA4/A, QXA5, QXA5/A	
17	90022-888-010	BOLT, FLANGE, 6X20(CT200) ...	1	-	-	-	----- QEA9, QEA9/A	
	95701-06020-00	BOLT, FLANGE, 6X20	(1)	(1)	(1)	(1)	----- QRA4, QRA4/A, QRA5, QRA5/A, QXA4, QXA4/A, QXA5, QXA5/A	





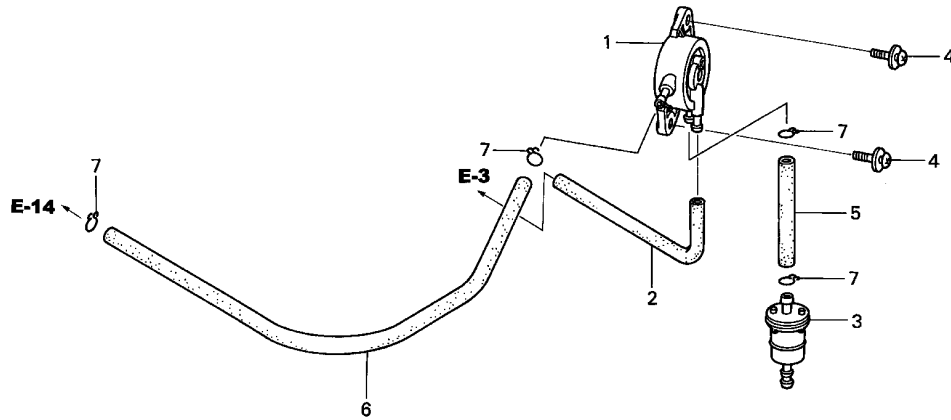
Z0A0-E1601D

Ref. No.	Part No.	Description	Reqd. QTY				Serial No.	Parts catalogue code
			GCV 520	GCV 530	GXV 520	GXV 530		
18	94050-06000	NUT, FLANGE, 6MM	4	4	4	4	-----	QEA9, QEA9/A, QRA4, QRA4/A, QRA5, QRA5/A, QXA4, QXA4/A, QXA5, QXA5/A
19	95701-06008-00	BOLT, FLANGE, 6X8	4	-	(4)	(4)	-----	QEA9, QEA9/A, QRA4/A, QRA5, QRA5/A, QXA4/A, QXA5, QXA5/A
			(4)	(4)	(4)	(4)	-----	QRA4, QXA4
20	95701-06010-00	BOLT, FLANGE, 6X10	2	-	(2)	(2)	-----	QEA9, QEA9/A, QRA4/A, QRA5, QRA5/A, QXA4/A, QXA5, QXA5/A
			(2)	(2)	(2)	(2)	-----	QRA4, QXA4
21	95701-06016-00	BOLT, FLANGE, 6X16	4	-	(4)	(4)	-----	QEA9, QEA9/A, QRA4/A, QRA5, QRA5/A, QXA4/A, QXA5, QXA5/A
			(4)	(4)	(4)	(4)	-----	QRA4, QXA4
22	95701-08014-00	BOLT, FLANGE, 8X14	4	-	(4)	(4)	-----	QEA9, QEA9/A, QRA4/A, QRA5, QRA5/A, QXA4/A, QXA5, QXA5/A
			(4)	(4)	(4)	(4)	-----	QRA4, QXA4
23	95701-08035-00	BOLT, FLANGE, 8X35	2	-	(2)	(2)	-----	QEA9, QEA9/A, QRA4/A, QRA5, QRA5/A, QXA4/A, QXA5, QXA5/A
			(2)	(2)	(2)	(2)	-----	QRA4, QXA4



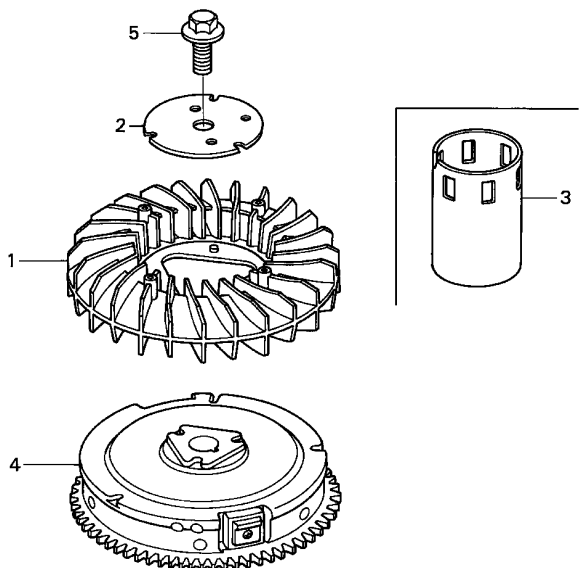
Ref. No.	L.O.N.	(Relative ref. Number) Description	F.R.T.
1	3101H9	PUMP, FUEL	0.2
2	3101E5	TUBE, DIAPHRAGM	0.1
3	3101H8	STRAINER, FUEL	0.1
5	3101G0	TUBE, FUEL STRAINER	0.1
6	3101K7	TUBE, FUEL PUMP	0.2

Ref. No.	Part No.	Description	Reqd. QTY				Serial No.	Parts catalogue code
			GCV 520	GCV 530	GXV 520	GXV 530		
1	16700-ZL8-003	PUMP ASSY., FUEL	1	1	-	-	----- DXA,EXA1, QEA3, QXU3, SEE1, VXU3	
			1	-	-	-	----- 1017357 CEE9, SEE4, WEE1	
			-	1	-	-	----- 1019622 AEE1, CEE9	
			-	-	-	1	----- 1004637 DXA1, DXA2, EXA1, PXA1, QEA3, QXU3, QXU4, SXE3	
16700-ZL8-013		1	1	-	1	----- CEE9/A, DXA1/A, DXA2/A, EEA1, EEA1/A, EXA1/A, EXA2, EXA2/A, JXA3	
			1	1	-	-	----- JXA3/A, PXA1/A, QEA3/A, QXU3/A, QXU4/A, SXE3/A, UXE3, UXE3/A	
			1	-	-	-	----- AEE1/A, DXA1, PEE9, PEE9/A, SEE2, SEE2/A, SEE4/A, SXE3, WEE1/A	
			1	-	-	-	----- 1017358 CEE9, SEE4, WEE1	
			-	1	-	-	----- 1019623 AEE1, CEE9	
			-	-	1	-	----- QEA3	
2	16882-Z0A-000	TUBE, DIAPHRAGM	1	1	1	1	----- 1004638 DXA1, DXA2, EXA1, PXA1, QEA3, QXU3, QXU4, SXE3	
			1	-	-	-	----- AEE1, AEE1/A, CEE9, CEE9/A, DXA, DXA1, DXA1/A, DXA2, DXA2/A, EEA1	
			1	-	-	-	----- EEA1/A, EXA1, EXA1/A, EXA2, EXA2/A, JXA3, JXA3/A, PEE9, PEE9/A, PXA1	
			1	-	-	-	----- PXA1/A, QEA3, QEA3/A, QXU3, QXU3/A, QXU4, QXU4/A, SEE1, SEE2, SEE2/A	
			1	-	-	-	----- SEE4, SEE4/A, SXE3, SXE3/A, UXE3, UXE3/A, VXU3, WEE1, WEE1/A	
3	16910-ZV4-015	STRAINER COMP., FUEL	1	1	1	1	-----	
4	93894-05016-00	SCREW-WASHER, 5X16	2	2	2	2	----- AEE1, AEE1/A, CEE9, CEE9/A, DXA, DXA1, DXA1/A, DXA2, DXA2/A, EEA1	
			2	-	-	-	----- EEA1/A, EXA1, EXA1/A, EXA2, EXA2/A, JXA3, JXA3/A, PEE9, PEE9/A, PXA1	
			2	-	-	-	----- PXA1/A, QEA3, QEA3/A, QXU3, QXU3/A, QXU4, QXU4/A, SEE1, SEE2, SEE2/A	
			2	-	-	-	----- SEE4, SEE4/A, SXE3, SXE3/A, UXE3, UXE3/A, VXU3, WEE1, WEE1/A	
5	95001-55100-40	TUBE, FUEL, 5.3X100 (95001-55001-60M)	1	1	1	1	-----	
6	95001-55350-40	TUBE, FUEL, 5.3X350 (95001-55001-60M)	1	1	1	1	----- AEE1, AEE1/A, CEE9, CEE9/A, DXA, DXA1, DXA1/A, DXA2, DXA2/A, EEA1	
			1	-	-	-	----- EEA1/A, EXA1, EXA1/A, EXA2, EXA2/A, JXA3, JXA3/A, PEE9, PEE9/A, PXA1	
			1	-	-	-	----- PXA1/A, QEA3, QEA3/A, QXU3, QXU3/A, QXU4, QXU4/A, SEE1, SEE2, SEE2/A	
			1	-	-	-	----- SEE4, SEE4/A, SXE3, SXE3/A, UXE3, UXE3/A, VXU3, WEE1, WEE1/A	



Z0A0-E1800B

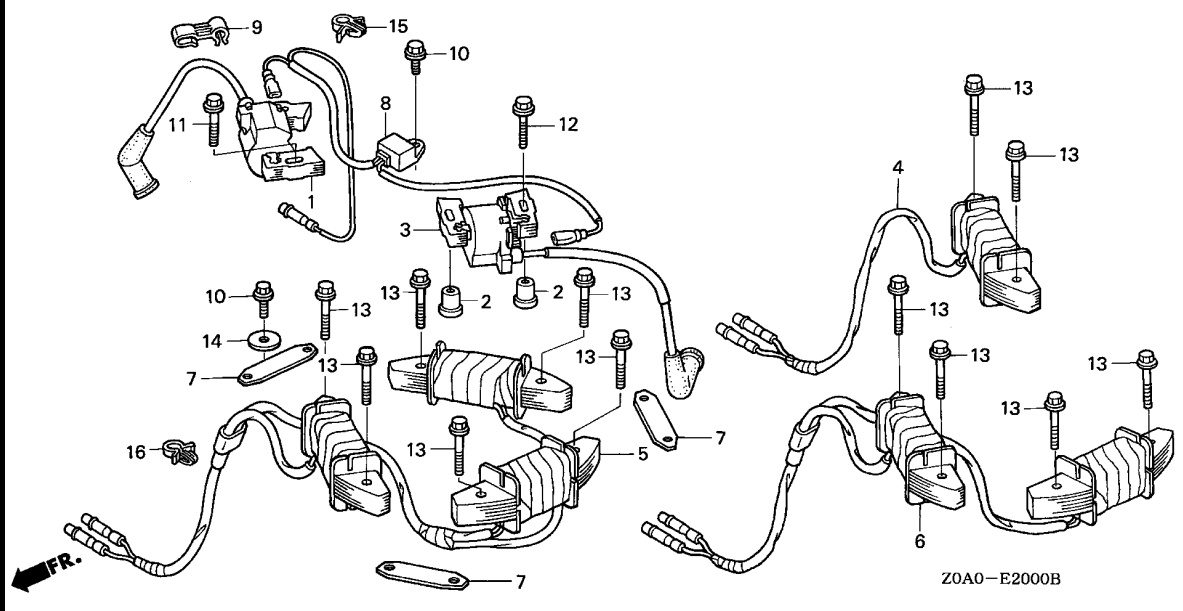
Ref. No.	Part No.	Description	Reqd. QTY				Serial No.	Parts catalogue code
			GCV 520	GCV 530	GXV 520	GXV 530		
7	95002-02100	CLIP, TUBE (B10)	2	2	2	2	-----	QEA,QEA1,QEA1/A,QEA9,QEA9/A,QRA4,QRA4/A,QRA5,QRA5/A,QXA4,QXA4/A,QXA5,QXA5/A
			4	4	4	4	-----	AEE1,AEE1/A,CEE9,CEE9/A,DXA,DXA1,DXA1/A,DXA2,DXA2/A,EEA1,EEA1/A,EXA1,EXA1/A,EXA2,EXA2/A,JXA3,JXA3/A,PEE9,PEE9/A,PXA1,PXA1/A,QEA3,QEA3/A,QXU3,QXU3/A,QXU4,QXU4/A,SEE1,SEE2,SEE2/A,SEE4,SEE4/A,SXE3,SXE3/A,UXE3,UXE3/A,VXU3,WEE1,WEE1/A



Ref. No.	L.O.N.	(Relative ref. Number) Description	F.R.T.
1	1141G7	FAN, ENGINE COOLING	0.3
2	1141H0	PLATE, COOLING FAN SETTING ...	0.3
3	1121A9	PULLEY, RECOIL STARTER	0.3
4	2161B5	FLYWHEEL	0.4

Ref. No.	Part No.	Description	Reqd. QTY				Serial No.	Parts catalogue code
			GCV 520	GCV 530	GXV 520	GXV 530		
1	19511-Z0A-000	FAN, COOLING	1	1	1	1		
2	19513-Z0A-000	PLATE, COOLING FAN SETTING ..	1	1	1	1		
3	28451-Z0A-003	PULLEY, STARTER	1	1	1	1	-----	QRA4, QRA4/A, QRA5, QRA5/A
4	31110-Z0A-000	FLYWHEEL COMP.	1	1	1	1	-----	QEA, QEA1, QEA1/A, QEA9, QEA9/A, QRA4, QRA4/A, QRA5, QRA5/A, QXA4, QXA4/A, QXA5, QXA5/A, SEE1
	31110-Z0A-800	FLYWHEEL COMP. (6P)	1	1	1	1	-----	AEE1, AEE1/A, CEE9, CEE9/A, DXA, DXA1, DXA1/A, DXA2, DXA2/A, EEA1, EEA1/A, EXA1, EXA1/A, EXA2, EXA2/A, JXA3, JXA3/A, PEE9, PEE9/A, PXA1, PXA1/A, QEA3, QEA3/A, QXU3, QXU3/A, QXU4, QXU4/A, SEE2, SEE2/A, SEE4, SEE4/A, SXE3, SXE3/A, UXE3, UXE3/A, VXU3, WEE1, WEE1/A
5	90011-Z0A-000	BOLT, FLANGE, 16X35	1	1	1	1		

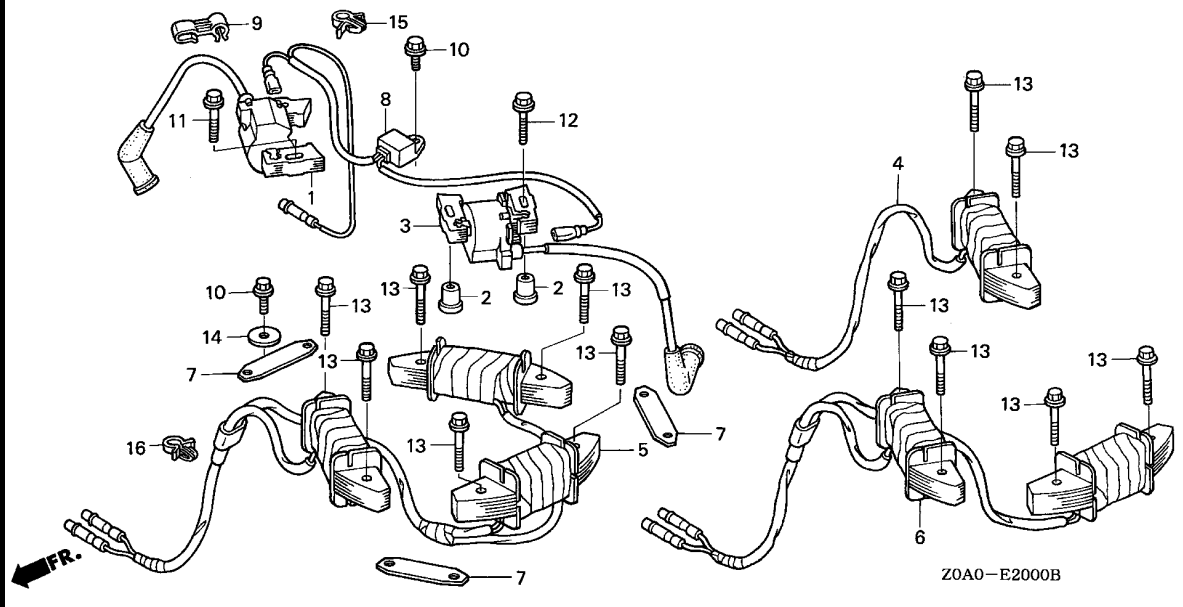




Ref. No.	L.O.N.	(Relative ref. Number) Description	F.R.T.
1	(3)		
6141A5		COIL, IGNITION(ONE)	0.4
4	(5,6)		
6131C3		COIL, CHARGE	0.5
8		DIODE, ENGINE STOP	0.4



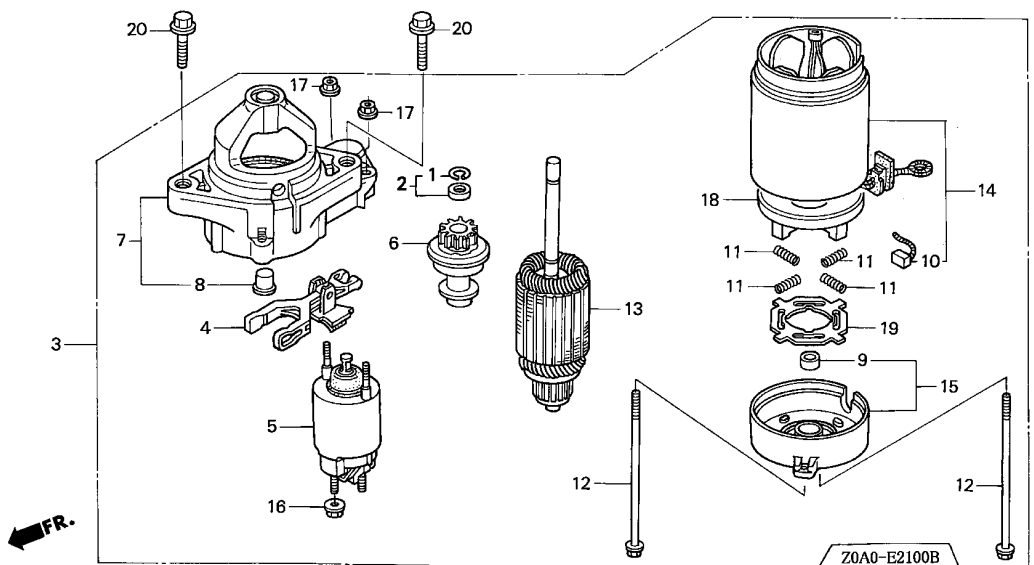
Ref. No.	Part No.	Description	Reqd. QTY				Serial No.	Parts catalogue code
			GCV 520	GCV 530	GXV 520	GXV 530		
1	30500-Z0A-013	COIL ASSY., IGNITION (#1) ...	1	1	-	-	----- DXA,DXA1,EXA1,QEA,QEA3,QRA4,QXA4,QXU3,SEE1,SXE3,VXU3	
			-	-	-	-	----- 1037849 CEE9,QEA1,QEA9,SEE4,WEE1	
			-	1	-	-	----- 1044899 AEE1,CEE9,PEE9,QEA1,SEE2	
			-	-	1	-	----- 1061986 DXA1,DXA2,EEA1,EXA1,EXA2,PXA1,QEA3,QRA4,QRA5,QXA4,QXA5,QXU3	
			-	-	-	1	----- QXU4,SXE3,UXE3	
	30500-Z0A-033	1	1	-	1	----- AEE1/A,CEE9/A,DXA1/A,DXA2/A,EEA1/A,EXA1/A,EXA2/A,JXA3,JXA3/A	
			1	-	-	-	----- PEE9/A,PXA1/A,QEA1/A,QEA3/A,QEA9/A,QRA4/A,QRA5/A,QXA4/A,QXA5/A	
			-	-	-	1	----- QXU3/A,QXU4/A,SEE2/A,SEE4/A,SXE3/A,UXE3/A,WEE1/A	
			1	-	-	-	----- 1037850 CEE9,QEA1,QEA9,SEE4,WEE1	
			-	1	-	-	----- 1044900 AEE1,CEE9,PEE9,QEA1,SEE2	
			-	-	-	1	----- 1061987 DXA1,DXA2,EEA1,EXA1,EXA2,PXA1,QEA3,QRA4,QRA5,QXA4,QXA5,QXU3	
			-	-	-	-	----- QXU4,SXE3,UXE3	
2	30509-Z0A-000	COLLAR, IGNITION COIL	2	2	2	2		
3	30550-Z0A-013	COIL ASSY., IGNITION (#2) ...	1	1	-	-	----- DXA,DXA1,EXA1,QEA,QEA3,QRA4,QXA4,QXU3,SEE1,SXE3,VXU3	
			1	-	-	-	----- 1037849 CEE9,QEA1,QEA9,SEE4,WEE1	
			-	1	-	-	----- 1044899 AEE1,CEE9,PEE9,QEA1,SEE2	
			-	-	1	-	----- 1061986 DXA1,DXA2,EEA1,EXA1,EXA2,PXA1,QEA3,QRA4,QRA5,QXA4,QXA5,QXU3	
			-	-	-	1	----- QXU4,SXE3,UXE3	
	30550-Z0A-033	1	1	-	1	----- AEE1/A,CEE9/A,DXA1/A,DXA2/A,EEA1/A,EXA1/A,EXA2/A,JXA3,JXA3/A	
			1	-	-	-	----- PEE9/A,PXA1/A,QEA1/A,QEA3/A,QEA9/A,QRA4/A,QRA5/A,QXA4/A,QXA5/A	
			-	-	-	1	----- QXU3/A,QXU4/A,SEE2/A,SEE4/A,SXE3/A,UXE3/A,WEE1/A	
			1	-	-	-	----- 1037850 CEE9,QEA1,QEA9,SEE4,WEE1	
			-	1	-	-	----- 1044900 AEE1,CEE9,PEE9,QEA1,SEE2	
			-	-	-	1	----- 1061987 DXA1,DXA2,EEA1,EXA1,EXA2,PXA1,QEA3,QRA4,QRA5,QXA4,QXA5,QXU3	
			-	-	-	-	----- QXU4,SXE3,UXE3	
4	31630-Z0A-003	COIL ASSY., CHARGE (12V/3A) .	1	1	1	1	----- QEA,QEA1,QEA1/A,QEA9,QEA9/A,QRA4,QRA4/A,QRA5,QRA5/A,QXA4	
			-	-	-	-	----- QXA4/A,QXA5,QXA5/A,SEE1	



Z0A0-E2000B

Ref. No.	Part No.	Description	Reqd. QTY				Serial No.	Parts catalogue code
			GCV 520	GCV 530	GXV 520	GXV 530		
5	31630-Z0A-801	COIL ASSY., CHARGE (12V/18A)	1	1	1	1	----- QEA3,WEE1,WEE1/A ----- CEE9,CEE9/A,JXA3,JXA3/A,QEA3/A,UXE3,UXE3/A	
6	31630-Z0A-811	COIL ASSY., CHARGE (12V/12A)	1	1	-	1	----- AEE1,AEE1/A,DXA,DXA1,DXA1/A,DXA2,DXA2/A,EEA1,EEA1/A,EXA1 EXA1/A,EXA2,EXA2/A,PEE9,PEE9/A,PXA1,PXA1/A,QXU3,QXU3/A,QXU4 QXU4/A,SEE2,SEE2/A,SEE4,SEE4/A,SXE3,SXE3/A,VXU3 ----- CEE9,CEE9/A ----- CEE9,CEE9/A,UXE3,UXE3/A	
7	31635-Z0A-000	PLATE, COIL SETTING	1	-	-	-	----- CEE9,CEE9/A,UXE3,UXE3/A	
8	31740-Z0A-003	DIODE ASSY., ENGINE STOP	1	1	1	1		
9	32768-PJ7-000	CLAMP, CENTER CORD	1	1	1	1		
10	90013-883-000	BOLT, FLANGE, 6X12(CT200) ...	2	2	2	2		
11	95701-06028-00	BOLT, FLANGE, 6X28	1	1	1	1		
12	90016-ZE8-000	BOLT, FLANGE, 6X45(CT200) ...	1	1	1	1		
13	95701-06032-00	BOLT, FLANGE, 6X32	2	2	2	2	----- QEA,QEA1,QEA1/A,QRA4,QRA4/A,QRA5,QRA5/A,QXA4,QXA4/A,QXA5 QXA5/A ----- AEE1,AEE1/A,DXA,DXA1,DXA1/A,DXA2,DXA2/A,EEA1,EEA1/A,EXA1 EXA1/A,EXA2,EXA2/A,PEE9,PEE9/A,PXA1,PXA1/A,QEA9,QEA9/A,QXU3 QXU3/A,QXU4,QXU4/A,SEE1,SEE2,SEE2/A,SXE3,SXE3/A,VXU3 ----- CEE9,CEE9/A,JXA3,JXA3/A,QEA3/A,SEE4,SEE4/A,UXE3,UXE3/A ----- QEA3,WEE1,WEE1/A	
14	90136-428-870	WASHER, TANK SETTING	1	1	1	1		
15	90654-SA4-003	CLIP, WIRE HARNESS, 6MM(WHITE)	1	1	1	1		
16	90659-PG6-000	CLIP, WIRE HARNESS	1	1	1	1		

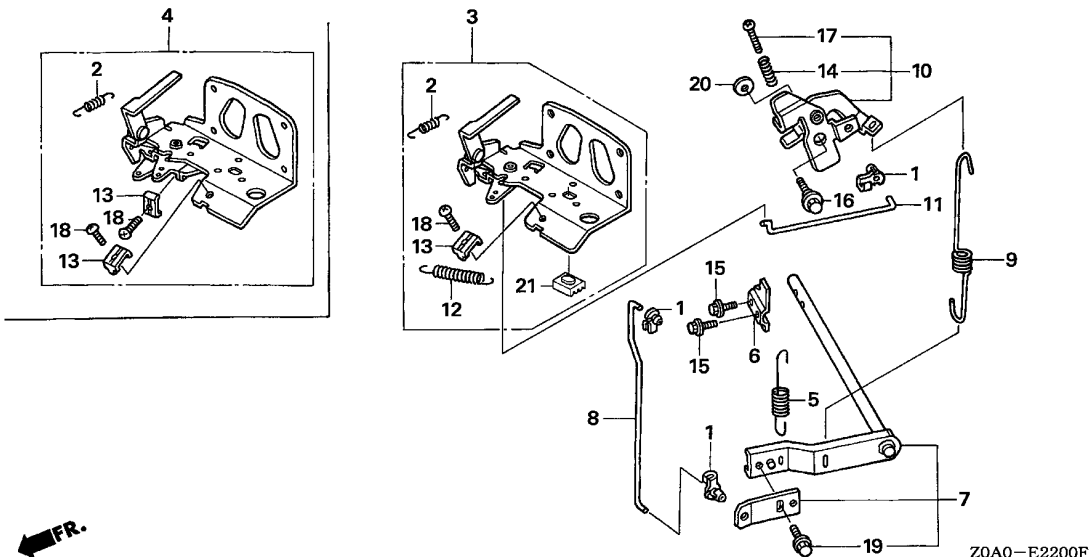




Ref. No.	L.O.N.	(Relative ref. Number) Description	F.R.T.
3	6121D5	MOTOR, STARTER	0.3
4	6121B7	LEVER, PINION DRIVE	0.4
5	6121C9	SWITCH, STARTER MAGNETIC	0.2
6	6121B0	CLUTCH, OVERRUNNING	0.5
7	6121C2	HOUSING, DRIVE SIDE	0.4
10	6121A9	BRUSH, STARTER	0.4
13	6121A0	ARMATURE, STARTER	0.5
14	6121D1	YOKE, STARTER	0.5

2

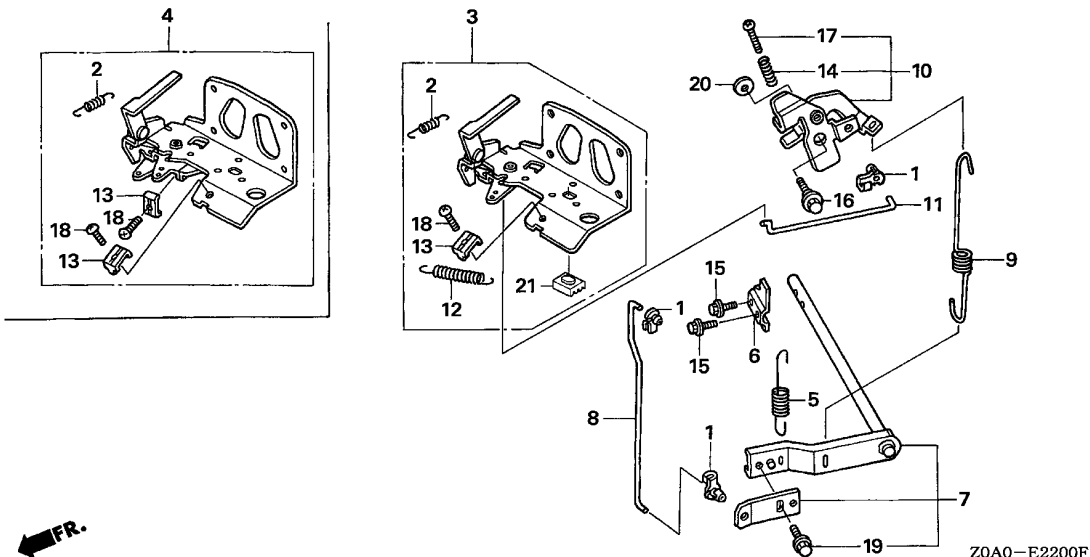
Ref. No.	Part No.	Description	Reqd. QTY				Serial No.	Parts catalogue code
			GCV 520	GCV 530	GXV 520	GXV 530		
1	30201-PH9-004	RING, SNAP (DENSO)	1	1	1	1		
2	30202-PZ1-003	COLLAR SET, CLUTCH STOP	1	1	1	1		
3	31200-Z0A-003	MOTOR ASSY., STARTER	1	1	1	1		
4	31203-PH9-004	LEVER, PINION DRIVE	1	1	1	1		
5	31204-ZG4-801	SWITCH ASSY., MAGNETIC	1	1	1	1		
6	31207-Z0A-003	CLUTCH COMP., OVERRUNNING ...	1	1	1	1		
7	31208-Z0A-003	HOUSING COMP., DRIVE SIDE ...	1	1	1	1		
8	31209-PH9-004	BEARING A	1	1	1	1		
9	31210-PH9-004	BEARING B	1	1	1	1		
10	31211-PH9-004	BRUSH	4	4	4	4		
11	31212-PH9-004	SPRING, BRUSH	4	4	4	4		
12	31214-PH9-004	BOLT, THROUGH	2	2	2	2		
13	31217-Z0A-003	ARMATURE COMP.	1	1	1	1		
14	31218-P64-N01	YOKE COMP.	1	1	1	1		
15	31219-Z0A-003	FRAME COMP., COMMUTATOR END -	1	1	1	1		
16	31220-PH9-004	NUT, HEX., 8MM	1	1	1	1		
17	31223-PA0-006	NUT, FLANGE, 5MM	2	2	2	2		
18	31231-PH9-004	HOLDER, BRUSH	1	1	1	1		
19	31233-PH9-004	INSULATOR, BRUSH HOLDER	1	1	1	1		
20	95701-10040-00	BOLT, FLANGE, 10X40	2	2	2	2		



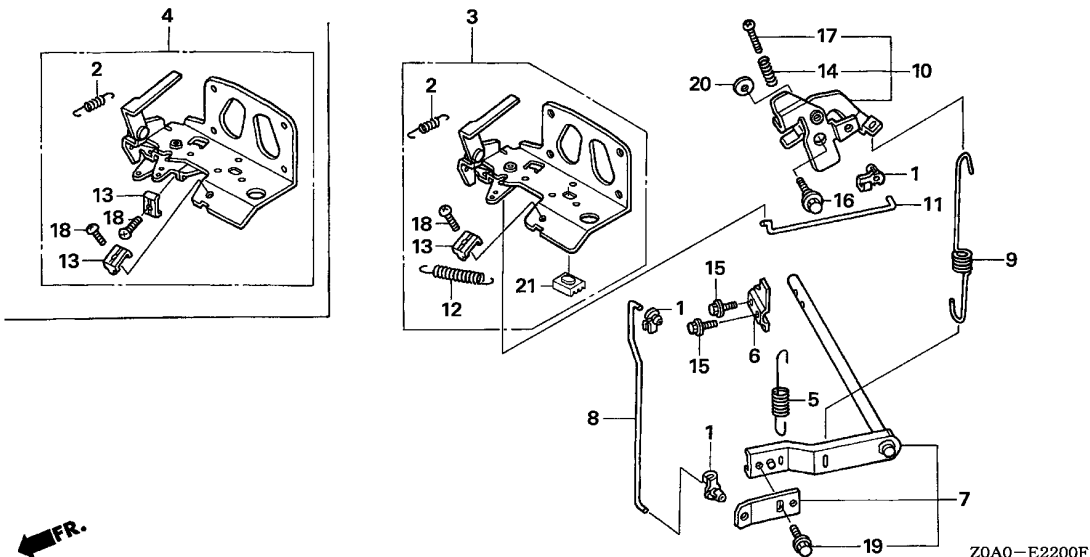
Ref. No.	L.O.N.	(Relative ref. Number) Description	F.R.T.
2	8101Q9	SPRING, CHOKE RETURN	0.1
3		(4)	
	1161A5	CONTROL, THROTTLE/GOVERNOR	0.2
5	1161C1	SPRING, STARTER	0.1
7	1161A0	ARM, GOVERNOR	0.5
8	1161B1	ROD, GOVERNOR	0.2
9	1161C5	SPRING, GOVERNOR	0.1
10	1161E5	LINK, GOVERNOR	0.2
11	1161E6	ROD, GOVERNOR LINK	0.1
12	1161C0	SPRING, LEVER	0.1

Ref. No.	Part No.	Description	Reqd. QTY				Serial No.	Parts catalogue code
			GCV 520	GCV 530	GXV 520	GXV 530		
1	16263-ZJ7-871	ROD, JOINT	3	3	3	3		
2	16268-Z0A-300	SPRING, CHOKE RETURN	1	1	1	1		
3	16500-Z0A-000	CONTROL ASSY. (1-LEVER)	1	1	1	1	----- AEE1,AEE1/A,CEE9,CEE9/A,JXA3,JXA3/A,QEA,QEA1,QEA1/A,QEA3,QEA3/A,QXU3,QXU3/A,QXU4,QXU4/A,SEE1,SEE4,SEE4/A,SXE3,SXE3/A,UXE3,UXE3/A,VXU3,WEE1/A	
4	16500-Z0A-800	CONTROL ASSY. (2-LEVER)	1	1	1	1	1026394 ----- WEE1 ----- DXA,DXA1,DXA1/A,DXA2,DXA2/A,EEA1,EEA1/A,EXA1,EXA1/A,PEE9,PEE9/A,PXA1,PXA1/A,QEA9,QEA9/A,QRA4,QRA4/A,QRA5,QRA5/A,QXA4,QXA4/A,QXA5,QXA5/A,SEE2,SEE2/A	
	16500-Z0A-V00	-----	1	-	-	-	1026393 ----- WEE1	
5	16534-Z0A-000	SPRING, STARTER	1	1	1	-	----- EXA2,EXA2/A	
	16534-Z0P-V00	-----	-	-	-	1	----- DXA1,DXA1/A,DXA2,DXA2/A,EXA1,EXA1/A,JXA3,JXA3/A,PXA1,PXA1/A,QEA3,QEA3/A,QRA4,QRA4/A,QRA5,QRA5/A,QXA4,QXA4/A,QXA5,QXA5/A,QXU3,QXU3/A,QXU4,QXU4/A,SXE3,SXE3/A,UXE3,UXE3/A	
		-----	-	-	-	1	1038645 ----- EXA2	
		-----	-	-	-	1	----- EEA1,EEA1/A,EXA2/A	
		-----	-	-	-	1	1038646 ----- EXA2	
6	16542-Z0A-000	FORK, GOVERNOR	1	1	1	1		
7	16550-Z0A-000	ARM COMP., GOVERNOR	1	1	1	1		
8	16555-Z0A-000	ROD, GOVERNOR	1	1	1	1		
9	16561-Z0A-000	SPRING, GOVERNOR	1	1	1	1		
10	16565-Z0A-000	LINK COMP., GOVERNOR	1	1	1	1		
11	16566-Z0A-000	ROD, GOVERNOR LINK	1	1	1	1		





Ref. No.	Part No.	Description	Reqd. QTY				Serial No.	Parts catalogue code	
			GCV 520	GCV 530	GXV 520	GXV 530			
12	16574-Z0A-300	SPRING, LEVER	1	1	1	1	-----	AEE1, AEE1/A, CEE9, CEE9/A, JXA3, JXA3/A, QEA, QEA1, QEA1/A, QEA3, QEA3/A, QXU3, QXU3/A, QXU4, QXU4/A, SEE1, SEE4, SEE4/A, SXE3, SXE3/A, UXE3, UXE3/A, VXU3, WEE1/A	
13	16576-891-000	HOLDER, CABLE	1	-	-	-	1026394	-----	WEE1
			1	1	1	1	-----	JXA3, JXA3/A, QEA3, QEA3/A, QXU3, QXU3/A, QXU4, QXU4/A, SXE3, SXE3/A, UXE3, UXE3/A	
			1	1	2	2	-----	AEE1, AEE1/A, CEE9, CEE9/A, DXA1/A, DXA2, DXA2/A, EEA1, EEA1/A, EXA1/A, EXA2, EXA2/A, PXA1, PXA1/A, QEA, QEA1, QEA1/A, QRA4/A, QRA5, QRA5/A, QXA4/A, QXA5, QXA5/A, SEE1, SEE4, SEE4/A, VXU3, WEE1/A	
			2	2	2	2	-----	DXA, DXA1, EXA1, PEE9, PEE9/A, QEA9, QEA9/A, QRA4, QXA4, SEE2, SEE2/A	
			2	-	-	-	1026393	-----	WEE1
1	1	-	2	-----	AEE1/A, CEE9/A, DXA1/A, DXA2/A, EEA1/A, EXA1/A, EXA2/A, PXA1/A, QEA1/A, QRA4/A, QRA5/A, QXA4/A, QXA5/A, SEE4/A, WEE1/A				
14	16584-883-300	SPRING, CONTROL ADJUSTING ...	1	1	1	1	-----	JXA3/A, PEE9/A, QEA3/A, QEA9/A, QXU3/A, QXU4/A, SEE2/A, SXE3/A, UXE3/A	
15	90002-892-000	BOLT, FLANGE, 5X10	2	2	2	2	-----		
16	90015-Z0A-000	BOLT, FLANGE, 6MM(CT200)	1	1	1	1	-----		
17	90016-ZG9-N30	SCREW, RECESSED, 5X25	1	1	1	1	-----		



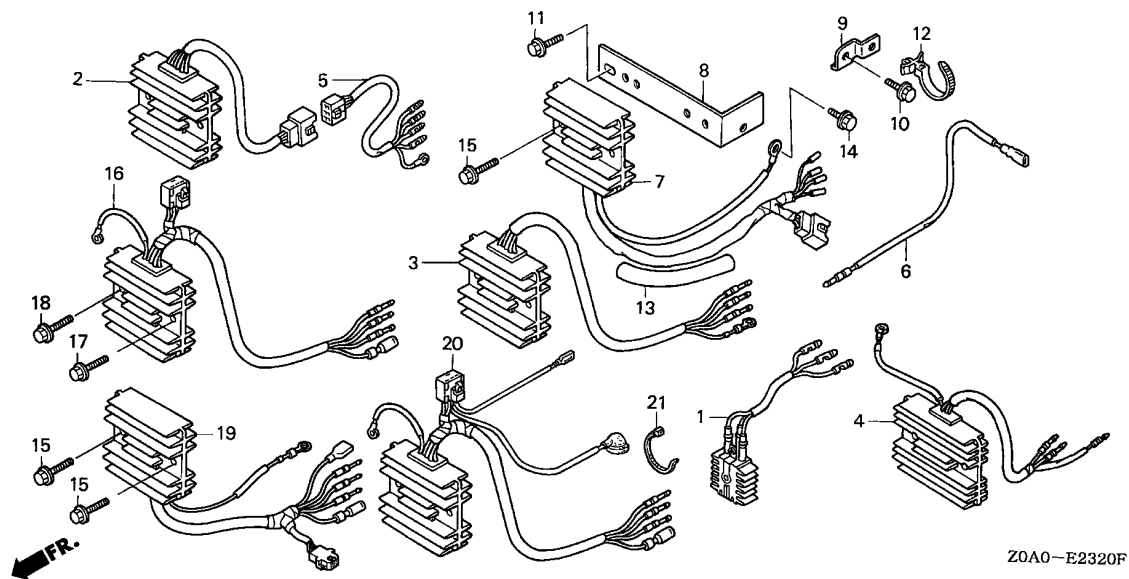
Ref. No.	Part No.	Description	Reqd. QTY				Serial No.	Parts catalogue code
			GCV 520	GCV 530	GXV 520	GXV 530		
18	93500-05016-0A	SCREW, PAN, 5X16	1	1	1	1	-----	JXA3, JXA3/A, QEA3, QEA3/A, QXU3, QXU3/A, QXU4, QXU4/A, SXE3, SXE3/A, UXE3, UXE3/A
			1	1	2	2	-----	AE1, AE1/A, CEE9, CEE9/A, DXA1/A, DXA2, DXA2/A, EEA1, EEA1/A, EXA1/A, PXA1, PXA1/A, QEA, QEA1, QEA1/A, QRA4/A, QRA5, QRA5/A, QXA4/A, QXA5, QXA5/A, SEE1, SEE4, SEE4/A, VXU3, WEE1/A
			2	2	2	2	-----	DXA, DXA1, EXA1, PEE9, PEE9/A, QEA9, QEA9/A, QRA4, QXA4, SEE2, SEE2/A
			2	-	-	-	1026393	WEE1
			1	1	-	2	-----	AE1/A, CEE9/A, DXA1/A, DXA2/A, EEA1/A, EXA1/A, PXA1/A, QEA1/A, QRA4/A, QRA5/A, QXA4/A, QXA5/A, SEE4/A, WEE1/A
			1	-	-	-	1026394	WEE1
			2	2	-	1	-----	JXA3/A, PEE9/A, QEA3/A, QEA9/A, QXU3/A, QXU4/A, SEE2/A, SXE3/A, UXE3/A
	90016-Z0A-V00	SCREW, RECESSED, 5X18	-	-	-	2	-----	EXA2, EXA2/A
19	95701-06010-00	BOLT, FLANGE, 6X10	1	1	1	1	-----	
20	94101-06000	WASHER, PLAIN, 6MM	1	1	1	1	-----	
21	95011-61000	RUBBER A, STAND STOPPER	1	1	1	1	-----	AE1, AE1/A, CEE9, CEE9/A, JXA3, JXA3/A, QEA, QEA1, QEA1/A, QEA3, QEA3/A, QXU3, QXU3/A, QXU4, QXU4/A, SEE1, SEE4, SEE4/A, SXE3, SXE3/A, UXE3, UXE3/A, VXU3, WEE1/A
			1	-	-	-	1026394	WEE1



E-23-20

REGULATOR RECTIFIER/SUB WIRE HARNESS

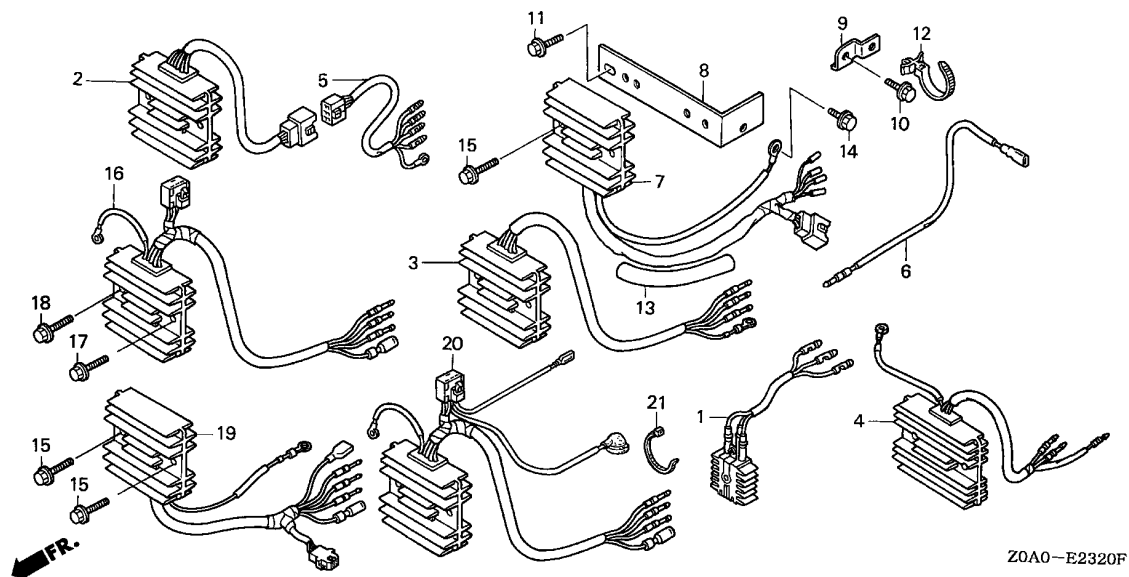
F 1



Ref. No.	L.O.N.	(Relative ref. Number) Description	F.R.T.
1	6131B7	RECTIFIER, REGULATOR	0.1
2		(3,4,7,16,19,20)	
	6131C7	RECTIFIER, REGULATOR(A)	0.2
6	6111E6	HARNESS, REGULATOR RECTIFIER	0.1

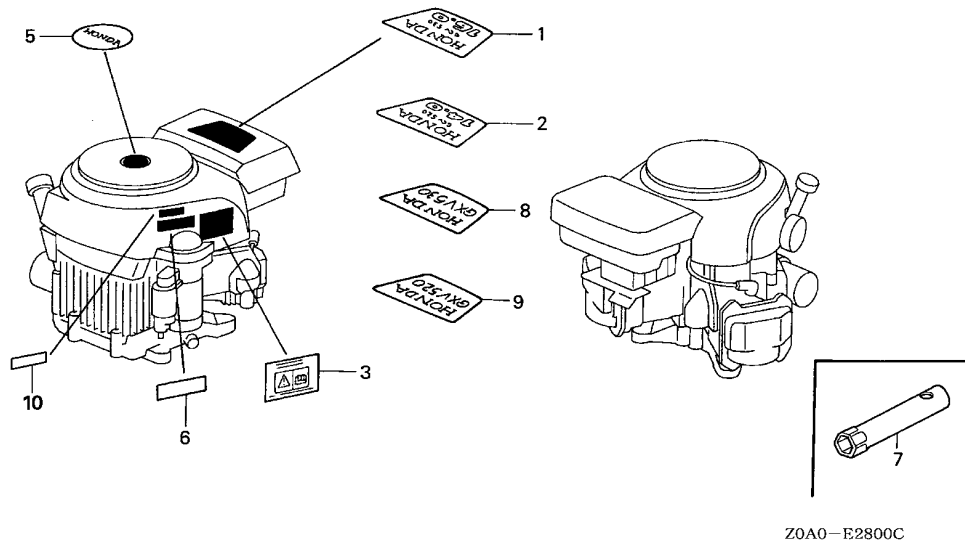
Ref. No.	Part No.	Description	Reqd. QTY				Serial No.	Parts catalogue code
			GCV 520	GCV 530	GXV 520	GXV 530		
1	31710-ZJ1-811	RECTIFIER ASSY.	1	-	-	-	SEE1 WEE1	
			(1)	(1)	(1)	(1)	1003809 QEA, QEA1, QEA1/A, QEA9, QEA9/A, QRA4, QRA4/A, QRA5, QRA5/A, QXA4, QXA4/A, QXA5, QXA5/A	
2	31620-ZG5-003	RECTIFIER ASSY., REGULATOR (20A)	1	-	-	-	1031886 WEE1	
			(1)	(1)	(1)	-	1038509 QEA3	
	31750-Z0A-811	RECTIFIER ASSY., REGULATOR ..	1	1	-	1	AEE1, AEE1/A, QXU3, QXU3/A, QXU4, QXU4/A, SEE2, SEE2/A, SEE4, SEE4/A, SXE3, SXE3/A, VXU3	
	31620-ZG5-013	RECTIFIER ASSY., REGULATOR (20A)	1	-	-	1	JXA3, JXA3/A, UXE3, UXE3/A, WEE1/A	
			1	-	-	-	1031887 WEE1	
			-	-	-	(1)	QEA3/A	
			-	-	-	(1)	1038510 QEA3	
3	31750-Z0A-821	RECTIFIER ASSY., REGULATOR ..	1	-	-	-	CEE9, CEE9/A	
			-	1	-	-	PEE9, PEE9/A	
4	31750-Z0A-831	RECTIFIER ASSY., REGULATOR ..	-	1	-	-	CEE9, CEE9/A	
5	32105-ZJ1-800	HARNESS ASSY., SUB WIRE	1	1	-	1	AEE1, AEE1/A, JXA3, JXA3/A, QXU4, QXU4/A, SEE2, SEE2/A, SEE4, SEE4/A, SXE3/A, UXE3, UXE3/A, WEE1, WEE1/A	
			(1)	(1)	(1)	(1)	QEA3, QEA3/A, QXU3, QXU3/A, VXU3	
			-	(1)	-	1	SXE3	
6	32105-Z0A-000	HARNESS ASSY., SUB WIRE	1	1	-	-	AEE1, AEE1/A, CEE9, CEE9/A, DXA, DXA1, EXA1, QEA1, QEA1/A, QEA3, QEA9, QEA9/A, QRA4, QXA4, QXU3, SEE1, SEE2, SEE2/A, SEE4, SEE4/A, SXE3, VXU3, WEE1, WEE1/A	
7	31750-Z0A-841	RECTIFIER ASSY., REGULATOR ..	-	-	1	1	EXA1, EXA1/A	
			-	1	-	1		

2



Ref. No.	Part No.	Description	Reqd. QTY				Serial No.	Parts catalogue code
			GCV 520	GCV 530	GXV 520	GXV 530		
8	31758-Z0A-800	BRACKET, REGULATOR	1	1	-	1	----- EXA1,EXA1/A,EXA2,EXA2/A,SEE2/A,SEE4,SEE4/A ----- 1034874 ----- SEE2	
9	35806-752-630	BASE, CLIP	-	1	-	1	----- DXA,DXA1,DXA1/A,DXA2,DXA2/A,EEA1,EEA1/A,EXA1,EXA1/A,EXA2 ----- EXA2/A,PXA1,PXA1/A	
10	90013-883-000	BOLT, FLANGE, 6X12(CT200) ...	-	1	-	1	----- DXA,DXA1,DXA1/A,DXA2,DXA2/A,EEA1,EEA1/A,EXA1,EXA1/A,EXA2 ----- EXA2/A,PXA1,PXA1/A	
11	90014-952-000	BOLT, FLANGE, 6X14(CT200) ...	2	2	-	2	----- EXA1,EXA1/A,EXA2,EXA2/A,SEE2/A,SEE4,SEE4/A ----- 1034874 ----- SEE2	
12	90672-SB2-003	STRAP, CABLE, 105MM(BLACK) ..	-	1	-	1	----- DXA,DXA1,DXA1/A,DXA2,DXA2/A,EEA1,EEA1/A,EXA1,EXA1/A,EXA2 ----- EXA2/A,PXA1,PXA1/A	
13	91406-ZB3-740	TUBE, CORD	-	1	-	1	----- DXA,DXA1,DXA1/A,DXA2,DXA2/A,EEA1,EEA1/A,EXA1,EXA1/A,EXA2 ----- EXA2/A,PXA1,PXA1/A	
14	95701-06008-00	BOLT, FLANGE, 6X8	1	1	-	1	----- EXA1,EXA1/A,EXA2,EXA2/A,SEE4,SEE4/A	
15	95701-06020-00	BOLT, FLANGE, 6X20	2	2	-	2	----- EXA1,EXA1/A,EXA2,EXA2/A,SEE2/A,SEE4,SEE4/A ----- 1034874 ----- SEE2	
16	31750-Z0A-801	RECTIFIER ASSY., REGULATOR ..	-	1	-	1	----- DXA,DXA1,DXA1/A,DXA2,DXA2/A,EEA1,EEA1/A ----- 1017807 PXA1	
17	90121-952-000	BOLT, FLANGE, 6X25(CT200) ...	-	1	-	1	----- DXA,DXA1,DXA1/A,DXA2,DXA2/A,EEA1,EEA1/A,PXA1,PXA1/A	
18	95701-06025-00	BOLT, FLANGE, 6X25	-	1	-	1	----- DXA,DXA1,DXA1/A,DXA2,DXA2/A,EEA1,EEA1/A,PXA1,PXA1/A	
19	31750-Z0A-V01	RECTIFIER ASSY., REGULATOR ..	-	-	-	1	----- EXA2,EXA2/A	
20	31750-Z0A-851	RECTIFIER ASSY., REGULATOR ..	-	-	-	1	----- PXA1/A ----- 1017808 ----- PXA1	
21	90650-GEV-003	BAND, HARNESS	-	-	-	1	----- PXA1/A ----- 1017808 ----- PXA1	





Ref. L.O.N. (Relative ref. Number) F.R.T.
No. Description

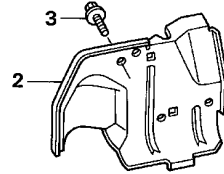
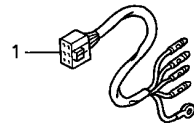
NO INFORMATION

Z0A0-E2800C

Ref. No.	Part No.	Description	Reqd. QTY				Serial No.	Parts catalogue code
			GCV 520	GCV 530	GXV 520	GXV 530		
1	87101-Z0A-000	MARK, EMBLEM (16.0)	-	1	-	-	-----	AEE1,AEE1/A,CEE9,CEE9/A,EXA1,PEE9,PEE9/A,QEA,QEA1,QEA1/A,QEA3,QXU3,SEE2,SEE2/A,SXE3,VXU3
			-	1	-	-	1003218	QRA4,QXA4
	87101-Z0A-800	MARK, EMBLEM (GCV530)	-	1	-	-	1003219	QRA4,QXA4
2	87101-Z0N-000	MARK, EMBLEM (14.0)	1	-	-	-	-----	CEE9,CEE9/A,QEA,QEA1,QEA1/A,QEA3,QEA9,QEA9/A,QRA4,QXA4,SEE1,SEE4,SEE4/A
			1	-	-	-	1023363	WEE1
3	87516-Z0A-000	MARK, OPERATOR CAUTION	1	1	-	-	-----	DXA,DXA1,QEA,QEA3,QRA4,QXA4,QXU3,VXU3
			1	-	-	-	1018853	QEA1,QEA9
			-	1	-	-	1016678	QEA1
			-	-	1	-	-----	QXU4
			-	-	-	1	1003809	DXA1,DXA2,PXA1,QEA3,QRA4,QRA5,QXA4,QXA5,QXU3
	87516-Z0A-800	MARK, OPERATOR CAUTION (EC) -	1	1	-	-	-----	EXA1,SEE1,SXE3,WEE1
			1	-	-	-	1015949	CEE9,SEE4
			-	1	-	-	1016678	AEE1,CEE9
			-	-	-	1	1004129	EXA1,SXE3
	87516-Z0A-010	MARK, OPERATOR CAUTION	1	1	-	1	-----	DXA1/A,DXA2/A,EEA1,EEA1/A,EXA2,EXA2/A,JXA3,JXA3/A,PXA1/A,QEA1/A,QEA3/A,QEA9/A,QRA4/A,QRA5/A,QXA4/A,QXA5/A,QXU3/A,QXU4/A
			1	-	-	-	1018854	QEA1,QEA9
			-	1	-	-	1016679	QEA1
			-	-	-	1	1003810	DXA1,DXA2,PXA1,QEA3,QRA4,QRA5,QXA4,QXA5,QXU3
	87516-Z0A-801	MARK, OPERATOR CAUTION (EC) -	1	1	-	1	-----	AEE1/A,CEE9/A,EXA1/A,PEE9,PEE9/A,SEE2,SEE2/A,SEE4/A,SXE3/A,UXE3,UXE3/A,WEE1/A
			1	-	-	-	1015950	CEE9,SEE4
			-	1	-	-	1016679	AEE1,CEE9
			-	-	-	1	1004130	EXA1,SXE3

Ref. No.	Part No.	Description	Reqd. QTY				Serial No.	Parts catalogue code
			GCV 520	GCV 530	GXV 520	GXV 530		
5	87531-Z0A-000	MARK, HONDA	1	1	1	-	-----	EXA1, QEA, QEA3, QXU3, SEE1, SXE3, VXU3
			1	1	-	-	-----	QXA4
			1	-	-	-	-----	1018853 QEA1, QEA9, SEE4
			-	1	-	-	-----	1016678 AEE1, QEA1
			-	-	-	1	-----	QXU4
			-	-	-	1	-----	1003809 EXA1, PXA1, QEA3, QXU3, SXE3
			1	1	-	1	-----	AEE1/A, EEA1, EEA1/A, EXA1/A, EXA2, EXA2/A, JXA3, JXA3/A, PXA1/A
			-	-	-	-	-----	QEA1/A, QEA3/A, QEA9/A, QXU3/A, QXU4/A, SEE4/A, SXE3/A
			1	-	-	-	-----	1018854 QEA1, QEA9, SEE4
			1	-	-	-	-----	1026393 WEE1
-	1	-	-	-----	1016679 AEE1, QEA1			
-	1	-	-	-----	1021756 SEE2			
-	-	-	1	-----	1003810 EXA1, PXA1, QEA3, QXU3, SXE3			
6	87135-ZE2-010	LABEL, E-SPEC (EPA STANDARD)	1	1	-	-	-----	EXA1, QXU3, SEE1, VXU3
			1	-	-	-	-----	1018854 CEE9, SEE4, WEE1
			-	1	-	-	-----	1022925 AEE1, CEE9, SEE2
			-	-	-	1	-----	1010469 EXA1, QXU3, QXU4, SXE3
			1	-	-	-	-----	1018855 1032387 CEE9, SEE4, WEE1
			-	1	-	-	-----	SXE3
			-	1	-	-	-----	1037567 PEE9
			-	1	-	-	-----	1022926 1037567 AEE1, CEE9, SEE2
			-	-	-	1	-----	QXU3/A, QXU4/A
			-	-	-	1	-----	1010470 EXA1, QXU3, QXU4
-	-	-	1	-----	1055303 UXE3			
-	-	-	1	-----	1010470 1055303 SXE3			
7	89216-ZB4-000	WRENCH, PLUG	-	1	-	-----	AEE1, AEE1/A	
8	87101-ZOP-000	MARK, EMBLEM (GXV530)	-	-	-	1	-----	QXU4
			-	-	-	1	-----	1003809 EXA1, PXA1, QEA3, QRA4, QRA5, QXA4, QXA5, QXU3, SXE3
			-	-	-	1	-----	EEA1, EEA1/A, EXA1/A, EXA2, EXA2/A, JXA3, JXA3/A, PXA1/A, QEA3/A
87101-ZOP-010	-	-	-	1	-----	QRA4/A, QRA5/A, QXA4/A, QXA5/A, QXU3/A, QXU4/A, SXE3/A	
9	87101-ZOR-000	MARK, EMBLEM (GXV520)	-	-	1	-----	EXA1, PXA1, QEA3, QRA4, QRA5, QXA4, QXA5, QXU3, SXE3	
10	87637-ZM3-800	MARK (C-TICK)	-	-	-	1	-----	QXU3/A, QXU4/A





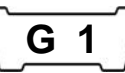
Z0A0-E4000A

Ref. L.O.N. (Relative ref. Number) F.R.T.
No. Description

NO INFORMATION

Ref. No.	Part No.	Description	Reqd. QTY				Serial No.	Parts catalogue code
			GCV 520	GCV 530	GXV 520	GXV 530		
1	32105-ZJ1-800	HARNESS ASSY., SUB WIRE	-	-	-	1	----- QXU3/A	
			-	-	-	1	1000303 ----- QXU3	
2	19631-Z0A-000	SHROUD	-	-	-	1	----- EEA1,EEA1/A	
3	90013-883-000	BOLT, FLANGE, 6X12(CT200) ...	-	-	-	1	----- EEA1,EEA1/A	

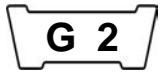
PART NO. INDEX



Part Number	Address	Page	Ref.	Part Number	Address	Page	Ref.	Part Number	Address	Page	Ref.	Part Number	Address	Page	Ref.	Part Number	Address	Page	Ref.	
06000				15000				16520-Z0A-000				19611-Z0A-010ZA D15				31219-Z0A-003				
06183-Z0A-800	E6	41	1	15100-Z0A-800	D5	24	2	16531-Z0A-000	D6	25	10	19611-Z0A-010ZB D15	34	9	31220-PH9-004	E13	48	16		
06183-Z0A-810	E6	41	2	15100-Z0A-811	D5	24	2	16534-Z0A-000	E14	49	5	19611-Z0A-010ZC D15	34	9	31223-PA0-006	E13	48	17		
				15161-Z0A-000	D6	25	24	16534-Z0P-V00	E14	49	5	19611-Z0A-801ZA D15	34	9	31231-PH9-004	E13	48	18		
				15162-Z0A-800	D6	25	25	16542-Z0A-000	E14	49	6	19612-Z0A-000 D15	34	10	31233-PH9-004	E13	48	19		
11000				15163-Z0A-000	D6	25	26	16550-Z0A-000	E14	49	7	19620-ZE3-810ZA D15	34	11	31620-ZG5-003	F1	52	2		
11100-Z0A-405	D3	22	1	15400-PFB-004	D3	22	6	16555-Z0A-000	E14	49	8	19620-ZE3-L60ZC D16	35	11	31620-ZG5-013	F1	52	2		
11100-Z0A-407	D3	22	1	15400-PLM-A01	D3	22	6	16561-Z0A-000	E14	49	9	19631-Z0A-000 D1	20	7	31630-Z0A-003	E11	46	4		
11100-Z0A-408	D3	22	1	15400-PLM-A02	D4	23	6	16565-Z0A-000	E14	49	10	F5	56	2	31630-Z0A-801	E12	47	5		
11100-Z0A-409	D3	22	1	15410-MCJ-000	D3	22	6	16566-Z0A-000	E14	49	11				31630-Z0A-811	E12	47	6		
11100-Z0A-416	D3	22	1	15550-Z0A-800	D5	24	3	16574-Z0A-300	E15	50	12	28000				31635-Z0A-000	E12	47	7	
11100-Z0A-417	D3	22	1	15550-Z0A-810	D5	24	3	16576-891-000	E15	50	13				31710-ZJ1-811	F1	52	1		
11300-Z0A-000	D5	24	1	15625-ZE1-003	D6	25	4	16584-883-300	E15	50	14	28400-ZE3-W01ZH D13	32	1	31740-Z0A-003	E12	47	8		
11300-Z0A-010	D5	24	1	15631-Z0A-000	D4	23	7	16700-ZL8-003	E8	43	1	28405-Z0A-000ZA D16	35	12	31750-Z0A-801	F2	53	16		
11300-Z0A-801	D5	24	1	15655-Z0A-000	D4	23	8	16700-ZL8-013	E8	43	1	28405-Z0A-000ZB D16	35	12	31750-Z0A-811	F1	52	2		
11300-Z0A-810	D5	24	1	15655-Z0A-800	D4	23	8	16711-Z0A-000	D14	33	1	28405-Z0A-000ZC D16	35	12	31750-Z0A-821	F1	52	3		
11300-Z0A-811	D5	24	1	15721-Z0A-000	D4	23	9	16882-Z0A-000	E8	43	2	28406-Z0A-000 D16	35	13	31750-Z0A-831	F1	52	4		
11300-Z0A-820	D5	24	1					16910-ZV4-015	E8	43	3	28410-ZE3-W01ZH D13	32	2	31750-Z0A-841	F1	52	7		
11300-Z0A-830	D5	24	1	16000				17000				28421-ZE3-W01 D13	32	3	31750-Z0A-851	F2	53	20		
				16010-Z0A-004	E2	37	1	17100-Z0A-000	D1	20	4	28422-ZE2-W01 D13	32	4	31750-Z0A-V01	F2	53	19		
				16010-Z0A-802	E2	37	2	17101-Z0A-000	D1	20	5	28441-ZE2-W01 D13	32	5	31758-Z0A-800	F2	53	8		
12100-Z0A-405	D1	20	1	16011-Z0A-004	E2	37	3	17151-Z0A-000	D1	20	6	28442-ZE2-W01 D13	32	6						
12100-Z0A-406	D1	20	1	16013-Z0A-004	E2	37	4	17151-Z0A-000	D1	20	6	28443-ZE2-W01 D13	32	7	32000					
12209-422-005	D1	20	2	16015-Z0A-004	E2	37	5	17211-Z0A-003	D14	33	2	28444-ZE2-W01 D13	32	8						
12311-Z0A-000	D1	20	3	16015-Z0A-802	E2	37	5	17211-Z0A-013	D14	33	2	28451-Z0A-003 E10	45	3	32105-Z0A-000	F1	52	6		
12356-Z0A-000	D3	22	2	16016-Z0A-004	E2	37	6	17212-Z0A-000	E1	36	28	28452-Z0A-000ZA D16	35	14	32105-ZJ1-800	F1	52	5		
12358-Z0A-000	D3	22	3	16024-Z0A-004	E2	37	7	17218-Z0A-000	D14	33	3	28452-Z0A-000ZB D16	35	14						
12372-Z0A-701	D3	22	4	16100-Z0A-014	E2	37	8	17218-Z0A-810	D14	33	3	28452-Z0A-000ZC D16	35	14	32768-PJ7-000	E12	47	9		
12374-Z0A-000	D3	22	5	16100-Z0A-803	E2	37	8	17228-Z0A-003	D14	33	4	28452-Z0A-800ZA D16	35	15						
				16100-Z0A-804	E2	37	8	17229-Z0A-000	D15	34	5	28452-Z0A-810 E1	36	29	35000					
				16100-Z0A-805	E3	38	8	17231-Z0A-000	D15	34	6	28461-ZE2-W02 D13	32	9						
				16100-Z0A-813	E2	37	8	17238-ZJ4-830	D15	34	7	28462-ZE3-W01 D13	32	10	35490-Z0A-003	D4	23	18		
				16100-Z0A-814	E3	38	8	17410-Z0A-000	D15	34	8				35806-752-630	F2	53	9		
				16100-Z0A-815	E3	38	8	17410-Z0A-010	D15	34	8	30000								
				16100-Z0N-014	E2	37	8					30201-PH9-004	E13	48	1	87000				
				16100-Z0N-803	E2	37	8	18000				30202-PZ1-003	E13	48	2	87101-Z0A-000	F3	54	1	
				16100-Z0N-804	E3	38	8	18310-Z0A-801	E6	41	3	30500-Z0A-013	E11	46	1	87101-Z0A-800	F3	54	1	
				16100-Z0N-805	E3	38	8	18321-ZJ1-841	E6	41	4	30500-Z0A-033	E11	46	1	87101-Z0N-000	F3	54	2	
				16100-Z0N-813	E2	37	8	18325-Z0A-800	E6	41	5	30509-Z0A-000	E11	46	2	87101-Z0P-000	F4	55	8	
				16100-Z0N-814	E3	38	8	18330-Z0A-801	E6	41	6	30550-Z0A-013	E11	46	3	87101-Z0P-010	F4	55	8	
				16100-Z0N-815	E3	38	8	18331-Z0A-000	E5	40	1	30550-Z0A-033	E11	46	3	87101-Z0R-000	F4	55	9	
				16100-Z0P-V02	E3	38	8	18331-Z0A-800	E6	41	7	31000				87135-ZE2-010	F4	55	6	
				16139-Z0A-004	E3	38	9	18333-Z0A-000	E5	40	2	31110-Z0A-000	E10	45	4	87135-ZE2-020	F4	55	6	
				16168-Z0A-004	E3	38	10					31110-Z0A-800	E10	45	4	87516-Z0A-000	F3	54	3	
				16178-Z0A-802	E3	38	11					31120-Z0A-003	E13	48	3	87516-Z0A-800	F3	54	3	
				16200-Z0A-802	E4	39	12					31203-PH9-004	E13	48	4	87516-Z0A-801	F3	54	3	
				16211-Z0A-000	E4	39	13	18337-Z0A-800	E6	41	10	31204-ZG4-801	E13	48	5	87531-Z0A-000	F4	55	5	
				16212-Z0A-000	E4	39	14	18338-Z0A-800	E6	41	11	31207-Z0A-003	E13	48	6	87531-Z0A-010	F4	55	5	
				16263-ZJ7-871	E14	49	1	18339-Z0A-800	E6	41	12	31208-Z0A-003	E13	48	7	87637-ZM3-800	F4	55	10	
				16268-Z0A-300	E14	49	2	18339-Z0A-801	E6	41	12	31209-PH9-004	E13	48	8	89000				
				16500-Z0A-000	E14	49	3	18355-ZJ1-801	E6	41	13	31210-PH9-004	E13	48	9					
				16500-Z0A-800	E14	49	4	18396-ZJ1-003	E6	41	14	31211-PH9-004	E13	48	10	89216-ZB4-000	F4	55	7	
				16500-Z0A-V00	E14	49	4					31212-PH9-004	E13	48	11	90000				
				16510-Z0A-000	D6	25	5	19000				31214-PH9-004	E13	48	12					
				16511-Z0A-000	D6	25	6	19511-Z0A-000	E10	45	1	31217-Z0A-003	E13	48	13					
				16512-Z0A-000	D6	25	7	19513-Z0A-000	E10	45	2	31218-P64-N01	E13	48	14	90001-ZN1-000	D8	27	5	
				16513-ZE2-000	D6	25	8													



PART NO. INDEX



Part Number	Address	Page	Ref.	Part Number	Address	Page	Ref.	Part Number	Address	Page	Ref.	Part Number	Address	Page	Ref.
90002-892-000	D4	23	10	92900-08028-0E	D4	23	16	96000							
	E15	50	15												
90002-PA6-003	D4	23	19	93000				96100-62070-00	D4	23	17				
90004-Z0A-000	D16	35	16												
90004-ZE2-W01	D13	32	11	93500-05016-0A	E16	51	18	98000							
90011-Z0A-000	E10	45	5	93894-05016-00	E8	43	4								
90012-333-000	D9	28	11	93913-24410	D16	35	22	98079-54846	D2	21	14				
90013-883-000	D1	20	8		E1	36	30	98079-54855	D2	21	14				
	E12	47	10	93913-24780	D16	35	22	98079-55846	D2	21	14				
	F2	53	10					98079-55855	D2	21	14				
	F5	56	3	94000											
90013-ZL8-000	D16	35	17					99000							
90014-952-000	D16	35	18	94050-06000	E5	40	3								
	E6	41	16		E7	42	18	99131-Z0A-0710	E4	39	21				
	F2	53	11	94050-06070	E1	36	23	99131-Z0A-0730	E4	39	21				
90015-Z0A-000	E15	50	16	94101-06000	E16	51	20								
90016-Z0A-V00	E16	51	18	94101-06800	D6	25	16	99131-Z0A-0760	E4	39	21				
90016-ZE8-000	D2	21	9	94103-06800	E1	36	24								
	D4	23	11	94109-20000	D6	25	23	99131-Z0A-0780	E4	39	22				
	E12	47	12	94301-08140	D4	23	20	99131-Z0A-0820	E4	39	21				
90016-ZG9-N30	E15	50	17		D6	25	17	99131-Z0A-0850	E4	39	21				
90018-PN3-000	D4	23	12												
90022-888-010	E6	41	17	95000				99131-Z0A-0870	E4	39	21				
90044-Z0A-000	D16	35	19												
90045-892-000	D2	21	10	95001-55100-40	E8	43	5	99131-Z0A-0900	E4	39	22				
90045-Z0A-000	D16	35	20	95001-55350-40	E8	43	6	99133-Z0A-0350	E4	39	23				
90121-952-000	D4	23	13	95002-02080	E4	39	17	99133-Z0A-0370	E4	39	23				
	F2	53	17	95002-02100	E9	44	7	99134-Z0A-0350	E4	39	23				
90136-428-870	E12	47	14	95002-02650	E4	39	18	99134-Z0A-0370	E4	39	23				
90201-Z0A-000	D2	21	11	95003-07030-31	E4	39	19								
90201-ZM0-000	D16	35	21	95005-45400-20	E4	39	20								
90206-001-000	D9	28	12	95011-61000	E16	51	21								
90401-Z0A-000	D7	26	2	95701-06008-00	E7	42	19								
90473-147-000	D6	25	11		F2	53	14								
90551-ZE1-000	D8	27	6	95701-06008-07	D13	32	12								
90602-ZE1-000	D6	25	12		E1	36	25								
90634-ZL8-H00	D2	21	12	95701-06010-00	E7	42	20								
90650-GEV-003	F2	53	21		E16	51	19								
90654-SA4-003	E12	47	15	95701-06012-00	D6	25	28								
90659-680-013	E4	39	16		E1	36	26								
90659-PG6-000	E12	47	16	95701-06016-00	D6	25	18								
90672-SB2-003	F2	53	12		E7	42	21								
90741-ZE2-000	D7	26	3	95701-06020-00	E6	41	17								
					F2	53	15								
91000				95701-06022-00	D6	25	20								
				95701-06025-00	F2	53	18								
91201-ZE3-004	D4	23	14	95701-06028-00	E12	47	11								
91202-Z0A-003	D6	25	13	95701-06030-00	D2	21	13								
91206-333-003	D6	25	14		D6	25	19								
91301-Z0A-003	D6	25	15	95701-06032-00	E12	47	13								
91301-ZE9-003	D4	23	15	95701-06035-00	D6	25	19								
91301-ZM0-V31	D9	28	13	95701-08014-00	E7	42	22								
91302-Z0A-003	D6	25	27	95701-08035-00	E7	42	23								
91303-428-003	D6	25	15	95701-08040-00	D6	25	21								
91406-ZB3-740	F2	53	13	95701-10040-00	E13	48	20								
				95801-06100-00	E1	36	27								
92000															
92800-20000	D6	25	22												

PART NAME INDEX

H 1

Part name	Address	Page	Ref.	Part name	Address	Page	Ref.	Part name	Address	Page	Ref.
[A]				BOLT, FLANGE, 8X14	E7	42	22	DOWEL PIN, 8X14.....	D6	25	17
ARMATURE COMP.	E13	48	13	BOLT, FLANGE, 8X35	E7	42	23	[E]			
ARM COMP., GOVERNOR	E14	49	7	BOLT, FLANGE, 8X40	D6	25	21	ELBOW COMP., AIR CLEANER.....	D15	34	8
ARM, EX. VALVE ROCKER	D9	28	5	BOLT, L. STUD	D16	35	19	ELEMENT, AIR CLEANER.....	D14	33	2
ARM, IN. VALVE ROCKER	D9	28	4	BOLT, R. STUD	D16	35	20	EXTENSION, OIL FILLER.....	D4	23	7
ARRESTER, SPARK	E6	41	13	BOLT, STUD, 6X28	D2	21	10	[F]			
[B]				BOLT, STUD, 8X28	D4	23	16	FAN, COOLING.....	E10	45	1
BAND ASSY.	E6	41	14	BOLT, THROUGH	E13	48	12	FILTER, OUTER.....	D14	33	3
BAND, HARNESS	F2	53	21	BRACKET, LOWER MUFFLER	E6	41	12	FLOAT SET.....	E2	37	4
BASE, CLIP	F2	53	9	BRACKET, MUFFLER	E6	41	10	FLYWHEEL COMP.	E10	45	4
BEARING A	E13	48	8	BRACKET, RECOIL MOUNT	D16	35	13	FORK, GOVERNOR	E14	49	6
BEARING B	E13	48	9	BRACKET, REGULATOR	F2	53	8	FRAME COMP., COMMUTATOR END...	E13	48	15
BEARING, RADIAL BALL, 6207 ...	D4	23	17	BRACKET, UPPER MUFFLER	E6	41	11	[G]			
BELT, TIMING	D9	28	3	BRUSH	E13	48	10	GASKET	E3	38	11
BOLT-WASHER, 4X8	D4	23	19	[C]				GASKET SET.....	E2	37	1
BOLT, AIR CLEANER, 6MM	D16	35	16	CAP	E3	38	10	GASKET, EX. PIPE.....	E5	40	2
BOLT, CONNECTING ROD, 6X37 ...	D8	27	5	CAP ASSY., DRAIN	D5	24	3		E6	41	8
BOLT, DRAIN PLUG, 20MM	D6	25	22	CAP, SEALING	D2	21	12				9
BOLT, FLANGE, 10X40	E13	48	20	CARBURETOR ASSY.	E2	37	8	GAUGE COMP., OIL LEVEL.....	D4	23	8
BOLT, FLANGE, 16X35	E10	45	5	CARTRIDGE, OIL FILTER.....	E3	38	8	GOVERNOR ASSY.	D6	25	5
BOLT, FLANGE, 5X10	D4	23	10	CASE COMP., RECOIL STARTER	D3	22	6	GRID, AIR CLEANER.....	E1	36	28
	E15	50	15	CHAMBER SET, FLOAT	D4	23	6	GRID, SCREEN.....	D16	35	14
BOLT, FLANGE, 6MM	E15	50	16	CLAMP, CENTER CORD	E2	37	5				15
BOLT, FLANGE, 6X10	E7	42	20	CLIP, GOVERNOR HOLDER	E12	47	9	GRIP, STARTER.....	E1	36	29
	E16	51	19	CLIP, PISTON PIN, 18MM	D8	27	6		D13	32	9
BOLT, FLANGE, 6X100	E1	36	27	CLIP, TUBE	E4	39	17	[H]			
BOLT, FLANGE, 6X12	D1	20	8					HARNESS ASSY., SUB WIRE.....	F1	52	5
	D6	25	28						F5	56	1
	E1	36	26					HOLDER, BRUSH.....	E13	48	18
	E12	47	10	CLIP, WIRE HARNESS	E9	44	7	HOLDER, CABLE.....	E15	50	13
	F2	53	10		E4	39	16	HOLDER, GOVERNOR WEIGHT.....	D6	25	7
	F5	56	3	CLIP, WIRE HARNESS, 6MM	E12	47	15	HOLDER, OIL FILTER	D4	23	12
BOLT, FLANGE, 6X14	D16	35	17	CLUTCH COMP., OVERRUNNING	E13	48	6	HOLDER, OIL PIPE.....	D6	25	26
	E6	41	16	COIL ASSY., CHARGE	E11	46	4	HOUSING COMP., DRIVE SIDE.....	E13	48	7
	F2	53	11		E12	47	5	[I]			
BOLT, FLANGE, 6X16	D6	25	18	COIL ASSY., IGNITION	E11	46	1	INSULATOR, BRUSH HOLDER.....	E13	48	19
BOLT, FLANGE, 6X20	E7	42	21					INSULATOR, CARBURETOR.....	E4	39	13
BOLT, FLANGE, 6X20	E6	41	17	COLLAR A, AIR CLEANER	D15	34	7	[J]			
	F2	53	15	COLLAR SET, CLUTCH STOP	E13	48	2	JET, MAIN,.....	E4	39	21
BOLT, FLANGE, 6X22	D6	25	20	COLLAR, IGNITION COIL	E11	46	2				22
BOLT, FLANGE, 6X25	D4	23	13	CONTROL ASSY.	E14	49	3	JET, PILOT,.....	E4	39	23
	F2	53	17					[K]			
			18	COVER SET, AIR VENT	E3	38	9	KEY, SPECIAL WOODRUFF, 25X18..	D7	26	3
BOLT, FLANGE, 6X28	E12	47	11	COVER, AIR CLEANER	D15	34	6				
BOLT, FLANGE, 6X30	D2	21	13	COVER, BREATHER	D3	22	2				
	D6	25	19	COVER, FAN	D15	34	9				
BOLT, FLANGE, 6X32	E12	47	13	COVER, HEAD	D1	20	3				
BOLT, FLANGE, 6X35	D6	25	19	CRANKCASE ASSY.	D3	22	1				
BOLT, FLANGE, 6X45	D2	21	9	CRANKSHAFT COMP.	D7	26	1				
	D4	23	11	CYLINDER COMP.	D1	20	1				
	E12	47	12	[D]							
BOLT, FLANGE, 6X8	D13	32	12	DIODE ASSY., ENGINE STOP	E12	47	8				
	E1	36	25	DOWEL PIN, 8X14	D4	23	20				
	E7	42	19								
	F2	53	14								

PART NAME INDEX

Part name	Address	Page	Ref.	Part name	Address	Page	Ref.	Part name	Address	Page	Ref.
[L]				PIPE, OIL SUPPLY	D6	25	25	SLIDER, GOVERNOR.....	D6	25	10
LABEL, E-SPEC	F4	55	6	PISTON	D8	27	2	SPACER, RECOIL STARTER			
LEVER, PINION DRIVE	E13	48	4	PLATE, COIL SETTING	E12	47	7	MOUNTING	D16	35	12
LINK COMP., GOVERNOR	E14	49	10	PLATE, COOLING FAN SETTING	E10	45	2	SPRING, BRUSH	E13	48	11
[M]				PLATE, SIDE	D15	34	10	SPRING, CHOKE RETURN.....	E14	49	2
MANIFOLD ASSY., INTAKE	D1	20	4	PLATE, VALVE	D3	22	4	SPRING, CONTROL ADJUSTING.....	E15	50	14
MANIFOLD, INTAKE	D1	20	5	PLUG, SPARK	D2	21	14	SPRING, FRICTION.....	D13	32	5
MARK	F4	55	10	PROTECTOR COMP., FAN COVER	D15	34	11	SPRING, GOVERNOR.....	E14	49	9
MARK, EMBLEM	F3	54	1		D16	35	11	SPRING, LEVER	E15	50	12
	F4	55	8	PROTECTOR, MUFFLER	E6	41	4	SPRING, RATCHET	D13	32	7
			9	PROTECTOR, RR. MUFFLER	E6	41	5	SPRING, STARTER	E14	49	5
MARK, HONDA	F4	55	5	PULLEY COMP., CAMSHAFT	D9	28	1	SPRING, STARTER RETURN.....	D13	32	6
MARK, OPERATOR CAUTION	F3	54	3	PULLEY, RECOIL STARTER	D13	32	3	SPRING, VALVE.....	D9	28	9
MOTOR ASSY., STARTER	E13	48	3	PULLEY, STARTER	E10	45	3	STARTER ASSY., RECOIL.....	D13	32	1
MUFFLER COMP.	E6	41	3	PUMP ASSY., FUEL	E8	43	1	STAY, FUEL PUMP.....	D14	33	1
MUFFLER KIT	E6	41	1	PUMP ASSY., OIL	D5	24	2	STOPPER, VALVE.....	D3	22	5
			2	[R]				STRAINER COMP., FUEL.....	E8	43	3
				RATCHET, STARTER	D13	32	4	STRAP, CABLE, 105MM.....	F2	53	12
				RECTIFIER ASSY.	F1	52	1	SWITCH ASSY., MAGNETIC.....	E13	48	5
				RECTIFIER ASSY., REGULATOR	F1	52	2	SWITCH ASSY., OIL PRESSURE.....	D4	23	18
							3	[T]			
							4	TUBE, 4.5X400.....	E4	39	20
[N]							7	TUBE, BREATHER	D4	23	9
NUT, FLANGE, 5MM	E13	48	17					TUBE, CORD	F2	53	13
NUT, FLANGE, 6MM	D16	35	21		F2	53	16	TUBE, DIAPHRAGM.....	E8	43	2
	E1	36	23				19	TUBE, FUEL, 5.3X100.....	E8	43	5
	E5	40	3	RETAINER, IN. VALVE SPRING	D9	28	10	TUBE, FUEL, 5.3X350.....	E8	43	6
	E7	42	18	RETAINER, SPRING	D13	32	8	TUBE, VINYL, 4X7X300.....	E4	39	19
NUT, FLANGE, 8MM	D2	21	11	RING SET, PISTON	D8	27	1	[V]			
NUT, HEX., 8MM	E13	48	16	RING, SNAP	E13	48	1	VALVE ASSY., SOLENOID.....	E4	39	12
NUT, TAPPET ADJUSTING	D9	28	12	ROD ASSY., CONNECTING	D8	27	4	VALVE, EX.	D9	28	8
				ROD, GOVERNOR	E14	49	8	VALVE, FLOAT.....	E2	37	3
				ROD, GOVERNOR LINK	E14	49	11	VALVE, IN.	D9	28	7
				ROD, JOINT	E14	49	1	[W]			
				ROPE, RECOIL STARTER	D13	32	10	WASHER, 6X16.....	D6	25	11
				RUBBER A, STAND STOPPER	E16	51	21	WASHER, DRAIN PLUG, 20MM.....	D6	25	23
								WASHER, PLAIN, 6MM.....	D6	25	16
[O]									E1	36	24
OIL SEAL, 10X16X4.5	D6	25	14						E16	51	20
OIL SEAL, 31X50X8	D6	25	13	SCREW-WASHER, 5X16	E8	43	4	WASHER, TANK SETTING.....	E12	47	14
OIL SEAL, 35X52X8	D4	23	14	SCREW SET	E2	37	6	WASHER, THRUST	D7	26	2
O-RING, 22.5X2.2	D4	23	15	SCREW SET, DRAIN	E2	37	7	WEIGHT, GOVERNOR.....	D6	25	6
O-RING, 5.8X2	D6	25	27	SCREW, CENTER	D13	32	11	WRENCH, PLUG.....	F4	55	7
O-RING, 6.8X1.9	D9	28	13	SCREW, PAN, 5X16	E16	51	18	[Y]			
O-RING, 7.5X2.3	D6	25	15	SCREW, RECESSED, 5X18	E16	51	18	YOKE COMP.	E13	48	14
O-RING, 7.7X2.5	D6	25	15	SCREW, RECESSED, 5X25	E15	50	17				
				SCREW, TAPPET ADJUSTING	D9	28	11				
				SCREW, TAPPING, 4X16	D16	35	22				
					E1	36	30				
[P]				SCREW, TAPPING, 4X30	D16	35	22				
PACKING, AIR CLEANER	D14	33	4	SEAL, AIR CLEANER CASE	D15	34	5				
	E4	39	15	SEAL, VALVE STEM	D1	20	2				
PACKING, BREATHER COVER	D3	22	3	SHAFT COMP., GOVERNOR	D6	25	9				
PACKING, INSULATOR	E4	39	14	SHAFT, CAM PULLEY	D9	28	2				
PACKING, INTAKE MANIFOLD	D1	20	6	SHAFT, ROCKER ARM	D9	28	6				
PACKING, OIL FILLER CAP	D6	25	4	SHROUD	D1	20	7				
PAN ASSY., OIL	D5	24	1		F5	56	2				
PIN, GOVERNOR WEIGHT	D6	25	8								
PIN, PISTON	D8	27	3								
PIPE COMP., EX.	E6	41	6								
PIPE, EX.	E5	40	1								
	E6	41	7								
PIPE, OIL PUMP	D6	25	24								

1

FOREWORD INDEX

2

ENGINE GROUP

3

PART NUMBER INDEX

4

PART NAME INDEX

HONDA
The Power of Dreams



PARTS CATALOGUE NEWS

Honda Motor Co., Ltd. Service Division

PARTS CATALOGUE - CORRECTED

Printed in Japan

CODE NO.	BOOKLET TYPE	13Z0A0E3
	MICRO- FICHE	13Z0A0EC/FC
PARTS CATALOGUE TITLE	GCV520 GCV530 GXV520 GXV530	
NEWS NO.	001	

Block No.	Ref. No.	Note	Part No.	Description	Reqd. QTY				Serial No.	Parts catalogue code
					GCV 520	GCV 530	GXV 520	GXV 530		
E-23-20	6	T	32105-Z0A-000	HARNESS ASSY., SUB WIRE	1	1	-	-	-----	AEE1, AEE1/A, CEE9, CEE9/A, DXA, DXA1, EXA1, PEE9/A, QEA1 QEA1/A, QEA3, QEA9, QEA9/A, QRA4, QXA4, QXU3, SEE1, SEE2 SEE2/A, SEE4, SEE4/A, SXE3, VXU3, WEE1, WEE1/A
					-	-	1	1		

NOTE A:PART NO. CHANGE D:NEWLY PROVIDED E:PART NO.DELETION K:REQUIRED NO. CORRECTION L:APPLICATION SERIAL NO. CORRECTION
T:APPLICATION CORRECTION Z:REMARKS CHANGE



PARTS CATALOGUE NEWS

Honda Motor Co., Ltd. Service Division

PARTS CATALOGUE - CORRECTED

Printed in Japan

CODE NO.	BOOKLET TYPE	13Z0A0E3
	MICRO-FICHE	13Z0A0EC/FC
PARTS CATALOGUE TITLE	GCV520 GCV530 GXV520 GXV530	
NEWS NO.	002	

Block No.	Ref. No.	Note	Part No.	Description	Reqd. QTY				Serial No.	Parts catalogue code
					GCV 520	GCV 530	GXV 520	GXV 530		
E-3	6		15400-PFB-004	CARTRIDGE, OIL FILTER (TOYO ROKI)	1	1	-	1	-----	DXA, QEA3, QRA4, QXA4, QXU3, SXE3
					1	1	-	-	-----	CEE9, DXA1, PEE9, PEE9/A, VXU3
					1	-	-	-	-----	1052155 CEE9/A
					-	1	-	1	-----	CEE9/A, EXA1, EXA1/A, JXA3, JXA3/A, QEA3/A, QRA4/A, QRA5 QRA5/A, QXA4/A, QXA5, QXA5/A, QXU3/A, QXU4, QXU4/A SXE3/A, UXE3, UXE3/A
					-	-	1	-		
	A		15400-PFB-014	1	-	-	1052156	-----	CEE9/A

NOTE A:PART NO. CHANGE D:NEWLY PROVIDED E:PART NO.DELETION K:REQUIRED NO. CORRECTION L:APPLICATION SERIAL NO. CORRECTION
T:APPLICATION CORRECTION Z:REMARKS CHANGE



PARTS CATALOGUE NEWS

Honda Motor Co., Ltd. Service Division

PARTS CATALOGUE - CORRECTED

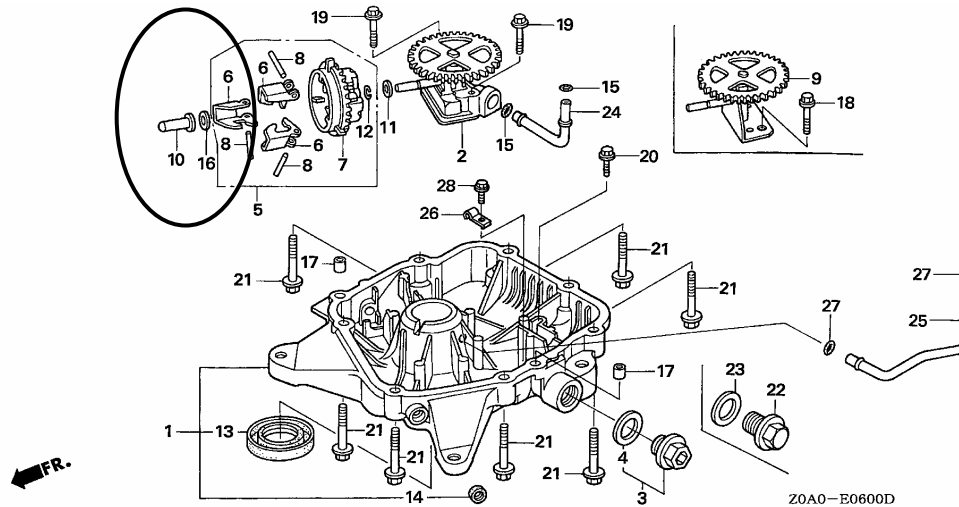
Printed in Japan

CODE NO.	BOOKLET TYPE	13Z0A0E3
	MICRO-FICHE	13Z0A0EC/FC
PARTS CATALOGUE TITLE	GCV520 GCV530 GXV520 GXV530	
NEWS NO.	003	

Block No.	Ref. No.	Note	Part No.	Description	Reqd. QTY	Serial No.	Parts catalogue code
					GCV 520 GCV 530 GXV 520 GXV 530		

E-6 OIL PAN

ILLUSTRATION CORRECTED



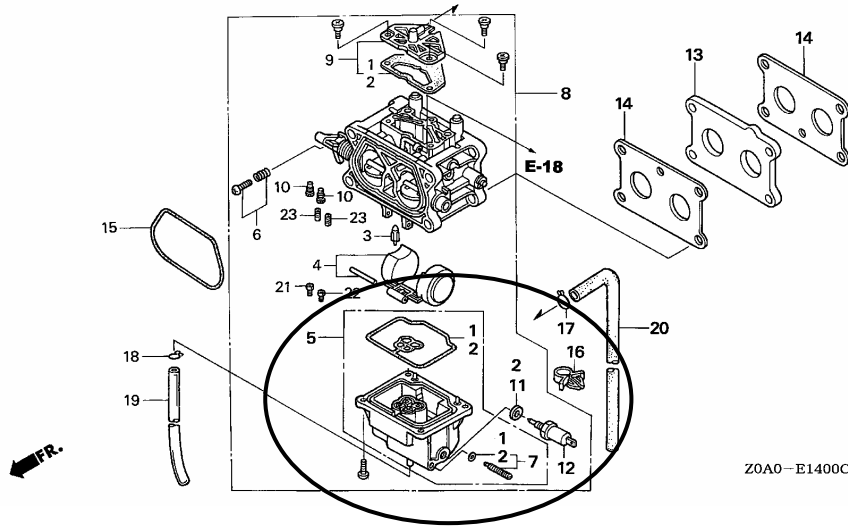
NOTE A:PART NO. CHANGE D:NEWLY PROVIDED E:PART NO.DELETION K:REQUIRED NO. CORRECTION L:APPLICATION SERIAL NO. CORRECTION
T:APPLICATION CORRECTION Z:REMARKS CHANGE

BOOKNo. : 13Z0A0E3

Block No.	Ref. No.	Note	Part No.	Description	Reqd. QTY				Serial No.	Parts catalogue code
					GCV 520	GCV 530	GXV 520	GXV 530		

E-14 CARBURETOR

• ILLUSTRATION CORRECTED



Z0A0-E1400C

NOTE A:PART NO. CHANGE D:NEWLY PROVIDED E:PART NO.DELETION K:REQUIRED NO. CORRECTION L:APPLICATION SERIAL NO. CORRECTION
T:APPLICATION CORRECTION Z:REMARKS CHANGE



PARTS CATALOGUE NEWS

Honda Motor Co., Ltd. Service Division

PARTS CATALOGUE - CORRECTED

Printed in Japan

CODE NO.	BOOKLET TYPE	13Z0A0E3
	MICRO-FICHE	13Z0A0EC/FC
PARTS CATALOGUE TITLE	GCV520 GCV530 GXV520 GXV530	
NEWS NO.	004	

Block No.	Ref. No.	Note	Part No.	Description	Reqd. QTY				Serial No.	Parts catalogue code
					GCV 520	GCV 530	GXV 520	GXV 530		
E-6	2		15100-Z0A-800	PUMP ASSY., OIL	1	1	1	1	-----	DXA, EXA1, EXA1/A, JXA3, JXA3/A, QEA3, QEA3/A, QXU3, QXU3/A, QXU4, QXU4/A, SXE3, SXE3/A, UXE3, UXE3/A
					1	1	-	-	-----	CEE9, DXA1, PEE9, QRA4, QXA4, VXU3
					1	-	-	-	-----	1053055 CEE9/A
					-	1	-	-	-----	1053499 CEE9/A, PEE9/A
		A	15100-Z0A-801	1	-	-	-	-----	1053056 CEE9/A
					-	1	-	-	-----	1053500 CEE9/A, PEE9/A

NOTE A:PART NO. CHANGE D:NEWLY PROVIDED E:PART NO.DELETION K:REQUIRED NO. CORRECTION L:APPLICATION SERIAL NO. CORRECTION
T:APPLICATION CORRECTION Z:REMARKS CHANGE



PARTS CATALOGUE NEWS

Honda Motor Co., Ltd. Service Division

PARTS CATALOGUE - CORRECTED

Printed in Japan

CODE NO.	BOOKLET TYPE	13Z0A0E3
	MICRO-FICHE	13Z0A0EC/FC
PARTS CATALOGUE TITLE	GCV520 GCV530 GXV520 GXV530	
NEWS NO.	005	

Block No.	Ref. No.	Note	Part No.	Description	Reqd. QTY				Serial No.	Parts catalogue code
					GCV 520	GCV 530	GXV 520	GXV 530		
E-3	6	L	15400-PFB-004	CARTRIDGE, OIL FILTER (TOYO ROKI)	1	1	-	1	-----	DXA, EXA1, EXA1/A, JXA3, JXA3/A, QEA3, QEA3/A, QRA4 QRA4/A, QRA5, QRA5/A, QXA4, QXA4/A, QXA5, QXA5/A, QXU3 QXU3/A, QXU4, QXU4/A, SXE3, SXE3/A, UXE3, UXE3/A
					1	1	-	-	-----	CEE9, DXA1, PEE9, VXU3
					1	-	-	-	-----	1052155 CEE9/A
					-	1	-	-	-----	1054939 CEE9/A, PEE9/A
					-	-	1	-		
		T	15400-PFB-014	1	-	-	-	1052156	----- CEE9/A
					-	1	-	-	1054940	----- CEE9/A, PEE9/A

NOTE A:PART NO. CHANGE D:NEWLY PROVIDED E:PART NO.DELETION K:REQUIRED NO. CORRECTION L:APPLICATION SERIAL NO. CORRECTION
T:APPLICATION CORRECTION Z:REMARKS CHANGE



PARTS CATALOGUE NEWS

Honda Motor Co., Ltd. Service Division

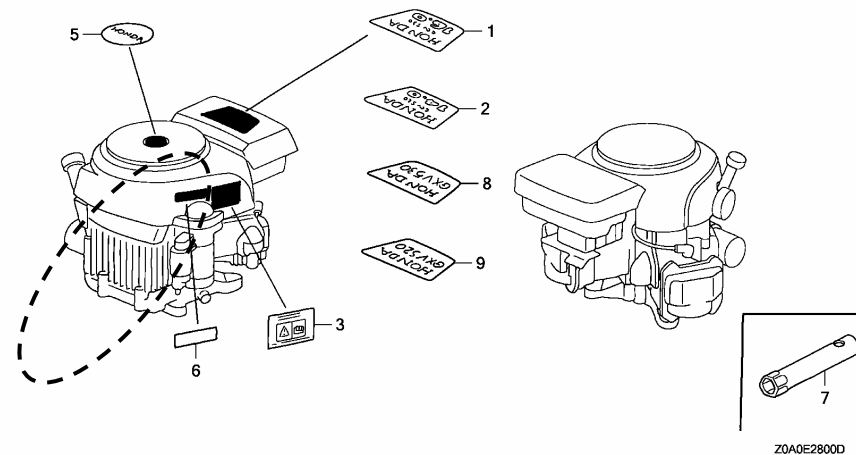
PARTS CATALOGUE - CORRECTED

Printed in Japan

CODE NO.	BOOKLET TYPE	13Z0A0E3
	MICRO-FICHE	13Z0A0EC/FC
PARTS CATALOGUE NEWS	GCV520 GCV530 GXV520 GXV530	
NEWS NO.	006	

Block No.	Ref. No.	Note	Part No.	Description	Reqd. QTY				Serial No.	Parts catalogue code
					GCV 520	GCV 530	GXV 520	GXV 530		

E-28 LABEL



E-28 10 E 87637-ZM3-800 *PARTS NO. DELETION

NOTE A:PART NO. CHANGE D:NEWLY PROVIDED E:PART NO.DELETION K:REQUIRED NO. CORRECTION L:APPLICATION SERIAL NO. CORRECTION
T:APPLICATION CORRECTION Z:REMARKS CHANGE



PARTS CATALOGUE NEWS

Honda Motor Co., Ltd. Service Division

PARTS CATALOGUE - CORRECTED

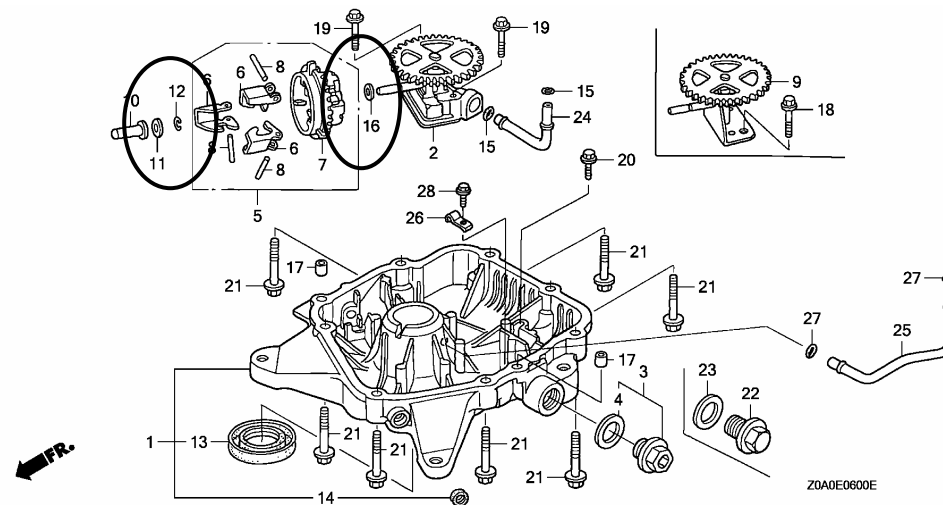
Printed in Japan

CODE NO.	BOOKLET TYPE	13Z0A0E3
	MICRO-FICHE	13Z0A0EC/FC
PARTS CATALOGUE NEWS	GCV520 GCV530 GXV520 GXV530	
NEWS NO.	007	

Block No.	Ref. No.	Note	Part No.	Description	Reqd. QTY				Serial No.	Parts catalogue code
					GCV 520	GCV 530	GXV 520	GXV 530		

E-6 OIL PAN

ILLUSTRATION CORRECTED



NOTE A:PART NO. CHANGE D:NEWLY PROVIDED E:PART NO.DELETION K:REQUIRED NO. CORRECTION L:APPLICATION SERIAL NO. CORRECTION
T:APPLICATION CORRECTION Z:REMARKS CHANGE



PARTS CATALOGUE NEWS

Honda Motor Co., Ltd. Service Division

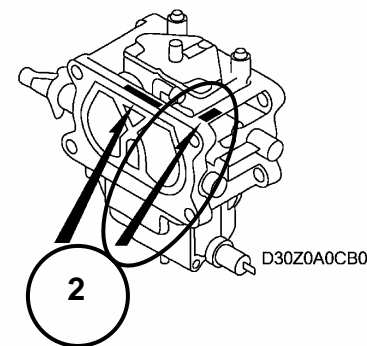
PARTS CATALOGUE - CORRECTED

Printed in Japan

CODE NO.	BOOKLET TYPE	13Z0A0E3
	MICRO-FICHE	13Z0A0EC/FC
PARTS CATALOGUE NEWS		GCV520 GCV530 GXV520 GXV530
NEWS NO.		008

Block No.	Ref. No.	Note	Part No.	Description	Reqd. QTY	Serial No.	Parts catalogue code
					GCV 520 GCV 530 GXV 520 GXV 530		

CARBURETOR IDENTIFICATION POSITION CORRECTED



CARBURETOR IDENTIFICATION NUMBER

NOTE A:PART NO. CHANGE D:NEWLY PROVIDED E:PART NO.DELETION K:REQUIRED NO. CORRECTION L:APPLICATION SERIAL NO. CORRECTION
T:APPLICATION CORRECTION Z:REMARKS CHANGE



PARTS CATALOGUE NEWS

Honda Motor Co., Ltd. Service Division

PARTS CATALOGUE - CORRECTED

Printed in Japan

CODE NO.	BOOKLET TYPE	13Z0A0E3
	MICRO-FICHE	13Z0A0EC/FC
PARTS CATALOGUE NEWS	GCV520 GCV530 GXV520 GXV530	
NEWS NO.	009	

Block No.	Ref. No.	Note	Part No.	Description	Reqd. QTY				Serial No.	Parts catalogue code		
					GCV 520	GCV 530	GXV 520	GXV 530				
E-23-20	2	T	31620-ZG5-003	RECTIFIER ASSY., REGULATOR	1	-	-	-	----- 1031886	WEE1		
				(20A)	(1)	(1)	-	-	-----	QEA3		
					-	-	(1)	-----	1038509	QEA3		
					1	-	-	1	-----	JXA3, JXA3/A, UXE3, UXE3/A, WEE1/A		
		T	31620-ZG5-013		1	-	-	-	1031887	-----	WEE1
						-	-	(1)	-	-----	QEA3	
						-	-	(1)	-----	QEA3/A		
						-	-	(1)	1038510	-----	QEA3	

NOTE A:PART NO. CHANGE D:NEWLY PROVIDED E:PART NO.DELETION K:REQUIRED NO. CORRECTION L:APPLICATION SERIAL NO. CORRECTION
T:APPLICATION CORRECTION Z:REMARKS CHANGE



PARTS CATALOGUE NEWS

Honda Motor Co., Ltd. Service Division

PARTS CATALOGUE - CORRECTED

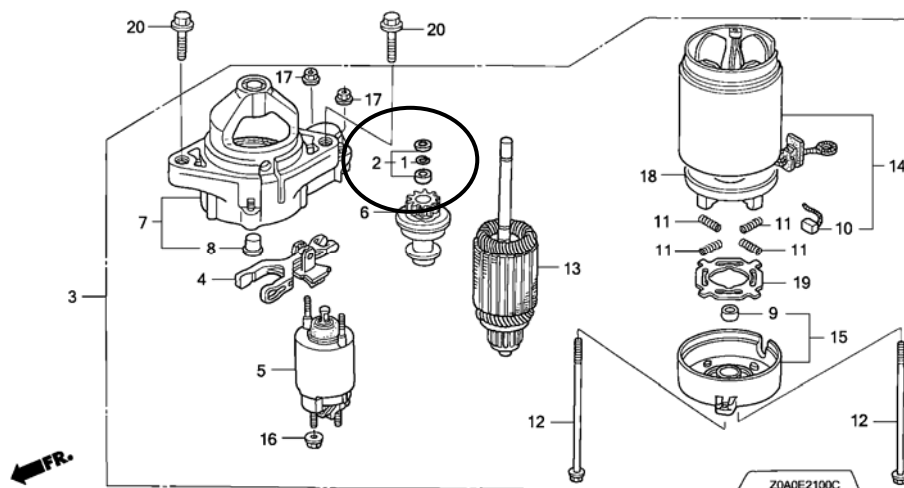
Printed in Japan

CODE NO.	BOOKLET TYPE	13Z0A0E3
	MICRO-FICHE	13Z0A0EC/FC
PARTS CATALOGUE NEWS		GCV520 GCV530 GXV520 GXV530
NEWS NO.		010

Block No.	Ref. No.	Note	Part No.	Description	Reqd. QTY	Serial No.	Parts catalogue code
					GCV 520 GCV 530 GXV 520 GXV 530		

E-21 STARTER MOTOR

ILLUSTRATION CORRECTED



NOTE A:PART NO. CHANGE D:NEWLY PROVIDED E:PART NO.DELETION K:REQUIRED NO. CORRECTION L:APPLICATION SERIAL NO. CORRECTION
T:APPLICATION CORRECTION Z:REMARKS CHANGE

PARTS CATALOGUE NEWS

BOOKNo. : 13Z0A0E3

Block No.	Ref. No.	Note	Part No.	Description	Reqd. QTY				Serial No.	Parts catalogue code
					GCV 520	GCV 530	GXV 520	GXV 530		
E-21	2	K	30202-PZ1-003	COLLAR SET, CLUTCH STOP	1	1	-	-	-----	AEE1, CEE9, DXA, DXA1, EXA1, PEE9, QEA, QEA1, QEA3, QEA9 QRA4, QXA4, QXU3, SEE1, SEE2, SEE4, SXE3, VXU3, WEE1
					99	99	-	-	-----	AEE1/A, CEE9/A, PEE9/A, QEA1/A, QEA9/A, SEE2/A, SEE4/A WEE1/A
					-	-	1	1		

NOTE A:PART NO. CHANGE D:NEWLY PROVIDED E:PART NO.DELETION K:REQUIRED NO. CORRECTION L:APPLICATION SERIAL NO. CORRECTION
T:APPLICATION CORRECTION Z:REMARKS CHANGE



PARTS CATALOGUE NEWS

Honda Motor Co., Ltd. Service Division

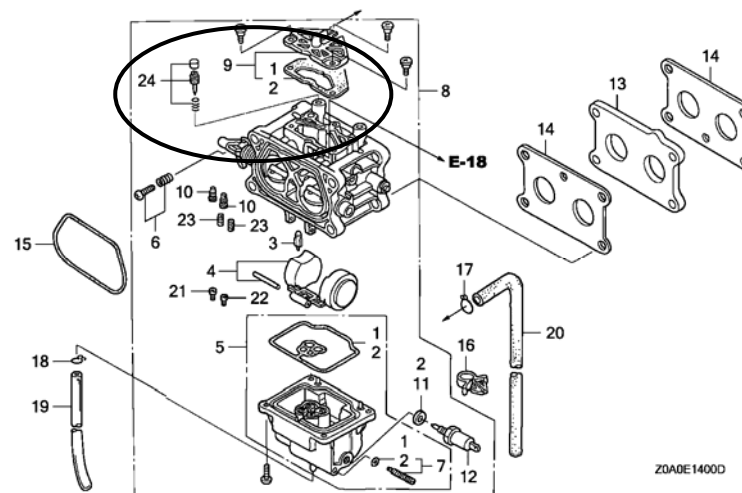
PARTS CATALOGUE - CORRECTED

Printed in Japan

CODE NO.	BOOKLET TYPE	13Z0A0E3
	MICRO-FICHE	13Z0A0EC/FC
PARTS CATALOGUE NEWS	GCV520 GCV530 GXV520 GXV530	
NEWS NO.	011	

Block No.	Ref. No.	Note	Part No.	Description	Reqd. QTY				Serial No.	Parts catalogue code
					GCV 520	GCV 530	GXV 520	GXV 530		

E-14 CARBURETOR



E-14	24	D	16028-Z0A-004	SCREW SET, PILOT	-	2	-	2		
------	----	---	---------------	------------------------	---	---	---	---	--	--

NOTE A:PART NO. CHANGE D:NEWLY PROVIDED E:PART NO.DELETION K:REQUIRED NO. CORRECTION L:APPLICATION SERIAL NO. CORRECTION
T:APPLICATION CORRECTION Z:REMARKS CHANGE

PARTS CATALOGUE NEWS

BOOKNo. : 13ZOA0E3

Block No.	Ref. No.	Note	Part No.	Description	Reqd. QTY				Serial No.	Parts catalogue code
					GCV 520	GCV 530	GXV 520	GXV 530		
		D	16028-ZON-004	2	-	2	-		
E-21	2	K	30202-PZ1-003	COLLAR SET, CLUTCH STOP.....	1	1	1	1		

NOTE A:PART NO. CHANGE D:NEWLY PROVIDED E:PART NO.DELETION K:REQUIRED NO. CORRECTION L:APPLICATION SERIAL NO. CORRECTION
T:APPLICATION CORRECTION Z:REMARKS CHANGE